

**SERIES 770NS, NARROW STILE SLIDING GLASS DOOR
IMPACT RESISTANT. INCLUDING POCKETS & 90° / 135° CORNERS**

FLORIDA PRODUCT APPROVAL #33106

DESIGN PRESSURE RATING	IMPACT RATING
SEE TABLES 1-3 ON SHEETS 6-8	RATED FOR LARGE & SMALL MISSILE IMPACT RESISTANCE

C
Rev.
3/28/23
Date
UPDATE TABLE 4, 6'X10' DOOR SIZE
Rev.

GENERAL NOTES:

- GLAZING TYPE OPTIONS: SEE TABLE B & GLAZING DETAILS ON SHEETS 4 & 5.
- DESIGN PRESSURES:
 - NEGATIVE DESIGN LOADS BASED ON TESTED PRESSURE AND ASTM E1300 CALCULATIONS.
 - POSITIVE DESIGN LOADS BASED ON WATER TEST PRESSURE AND ASTM E1300 CALCULATIONS.
 - DESIGN LOADS ARE BASED ON ALLOWABLE STRESS DESIGN, ASD.
- ANCHORAGE: THE 33-1/3% STRESS INCREASE HAS NOT BEEN USED IN THE DESIGN OF THIS PRODUCT. MATERIALS, INCLUDING BUT NOT LIMITED TO STEEL SCREWS, THAT COME INTO CONTACT WITH OTHER DISSIMILAR MATERIALS SHALL MEET THE REQUIREMENTS OF THE CURRENT FLORIDA BUILDING CODE. FOR ANCHORAGE DETAILS SEE SHEETS 6-14.
- SHUTTERS ARE NOT REQUIRED PER FBC REQUIREMENTS, AS APPLICABLE.
- INSTALLATION SCREWS, FRAME SPLICES, FRAME AND PANEL CORNERS TO BE SEALED WITH NARROW JOINT SEALANT. OVERALL SEALING/FLASHING STRATEGY FOR WATER RESISTANCE OF INSTALLATION SHALL BE DONE BY OTHERS AND IS BEYOND THE SCOPE OF THESE INSTRUCTIONS.
- REFERENCES: ELCO ULTRACON, DEWALT ULTRACON+, DEWALT/ELCO CRETEFLEX AND AGGREGATOR NOA'S, ANSI/AF&PA NDS FOR WOOD CONSTRUCTION AND ADM, ALUMINUM DESIGN MANUAL.
- THIS PRODUCT HAS BEEN DESIGNED & TESTED TO COMPLY WITH THE REQUIREMENTS OF THE CURRENT FLORIDA BUILDING CODE, INCLUDING THE HIGH VELOCITY HURRICANE ZONE (HVHZ).
- DOOR SIZES MUST BE VERIFIED FOR COMPLIANCE WITH EGRESS REQUIREMENTS PER CURRENT FLORIDA BUILDING CODE, AS APPLICABLE.
- TEST REPORTS: FTL-5980, FTL-5993, FTL-6001, FTL-6014, FTL-6015, FTL-6017, FTL-6022, FTL-6023, FTL-6024, FTL-6025, FTL-6028, FTL-6031, FTL-6033, FTL-6036, FTL-7554, and QAI NOK-0013

ANCHOR NOTES:

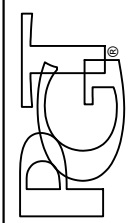
- SEE TABLE A ON THIS SHEET FOR EMBEDMENT, EDGE DISTANCE AND SUBSTRATE ANCHORAGE REQUIREMENTS.
- WOOD BUCKS DEPICTED AS 1X ARE LESS THAN 1-1/2" THICK. PROPERLY SECURED, 1X WOOD BUCKS ARE OPTIONAL IF UNIT IS INSTALLED DIRECTLY TO SOLID CONCRETE. WOOD BUCKS DEPICTED AS 2X ARE 1-1/2" THICK OR GREATER. 1X AND 2X BUCKS (WHEN USED) SHALL BE DESIGNED TO PROPERLY TRANSFER LOADS TO THE STRUCTURE. BUCK DESIGN AND INSTALLATION IS THE RESPONSIBILITY OF THE ENGINEER OR ARCHITECT OF RECORD & TO BE REVIEWED BY THE BUILDING OFFICIAL.
- METAL SUBSTRATE TO MEET MIN. STRENGTH AND THICKNESS REQUIREMENTS PER CURRENT FLORIDA BUILDING CODE AND TO BE REVIEWED BY THE AUTHORITY HAVING JURISDICTION.
- IF SILL IS TIGHT TO SUBSTRATE, GROUT OR OTHER MATERIAL IS NOT REQUIRED. IF USED, NON-SHRINK, NON-METALLIC GROUT, MAX. 1/4" THICK & 3400 PSI MIN., (DONE BY OTHERS) MUST FULLY SUPPORT THE ENTIRE LENGTH OF THE SILL THAT IS NOT TIGHT TO THE SUBSTRATE, AND TRANSFER SHEAR LOAD TO SUBSTRATE. IF SUBSTRATE IS WOOD, 30# FELT PAPER OR MASTIC IS REQUIRED BETWEEN THE GROUT AND WOOD SUBSTRATE, OR AS APPROVED BY THE AUTHORITY HAVING JURISDICTION.

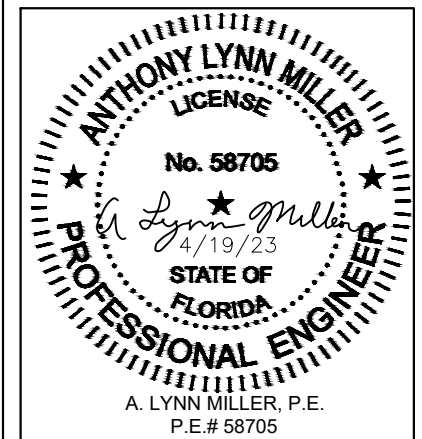
TABLE A:

Anchor Group	Anchor Type	Frame Member	Substrate	Min. Edge Distance	Min. O.C. Distance	Min. Embedment or Metal Thickness
A	#12 18-8 SMS or #12 410 SS SMS (min. of 3 threads beyond metal substrate)	All	Southern Pine (SG = 0.55)	9/16"	7/8"	1-3/8"
			6063-T5 Aluminum	3/8"	9/16"	0.071" (20 Ga)
			A36 Steel	3/8"	9/16"	0.050"
			Gr. 33 Steel Stud	3/8"	9/16"	0.045" (18 Ga)
	1/4" DeWalt/Elco Aggre-Gator®	All	Concrete (min. 2.22 ksi)	1-1/2"	3"	1-3/8"
			Jamb / P-hook Filled Block (ASTM C90)	2"	3"	2"
			Jamb / P-hook Hollow Block (ASTM C90)	2"	3"	1-1/4"
B	#12 Steel SMS (Gr. 5) (min. of 3 threads beyond metal substrate)	All	Southern Pine (SG = 0.55)	9/16"	7/8"	1-3/8"
			6063-T5 Aluminum	3/8"	9/16"	0.071" (20 Ga)
			A36 Steel	3/8"	9/16"	0.050"
			Gr. 33 Steel Stud	3/8"	9/16"	0.045" (18 Ga)
C	1/4" DeWalt UltraCon® +	Head / Sill	Concrete (min. 3 ksi)	1-5/16"	4"	1-3/8"
		Jamb / P-hook	Concrete (min. 3 ksi)	1"	4"	1-3/8"
		Jamb / P-hook	Hollow Block (ASTM C90)	1"	3"	1-1/4"
		All	Southern Pine (SG = 0.55)	1"	1"	1-3/8"
D	1/4" 410 SS DeWalt/Elco CreteFlex®	Head / Sill	Concrete (min. 3.35 ksi)	1"	4"	1-3/4"
		Jamb / P-hook	Concrete (min. 3.35 ksi)	1"	6"	1-3/4"
		Jamb / P-hook	Hollow Block (ASTM C90)	2-1/2"	6"	1-1/4"
		All	Southern Pine (SG = 0.55)	1"	1"	1-3/8"

- WHERE SUBSTRATE CONDITIONS REQUIRE ANCHORAGE FROM MORE THAN ONE OF THE ANCHOR GROUPS ABOVE, CHOOSE THE ANCHOR GROUP OF THE LOWEST LETTER FOR ALL TABLES IN THIS APPROVAL.
- ALL ANCHOR HEAD TYPES ARE APPLICABLE.
- FOR THE MINIMUM STRENGTHS OF ANCHORS AND SUBSTRATES, SEE TABLE 5, SHEET 20.
- HOLLOW BLOCK VALUES MAY ALSO BE USED IN FILLED BLOCK APPLICATIONS.
- ANCHORS MUST BE OF SUFFICIENT LENGTH SO THAT A MINIMUM OF 3 THREADS EXTEND BEYOND METAL SUBSTRATE.

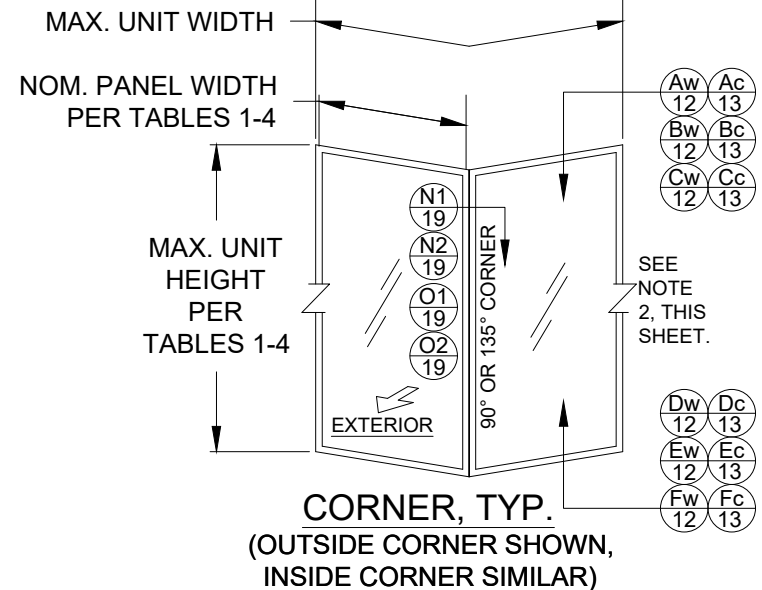
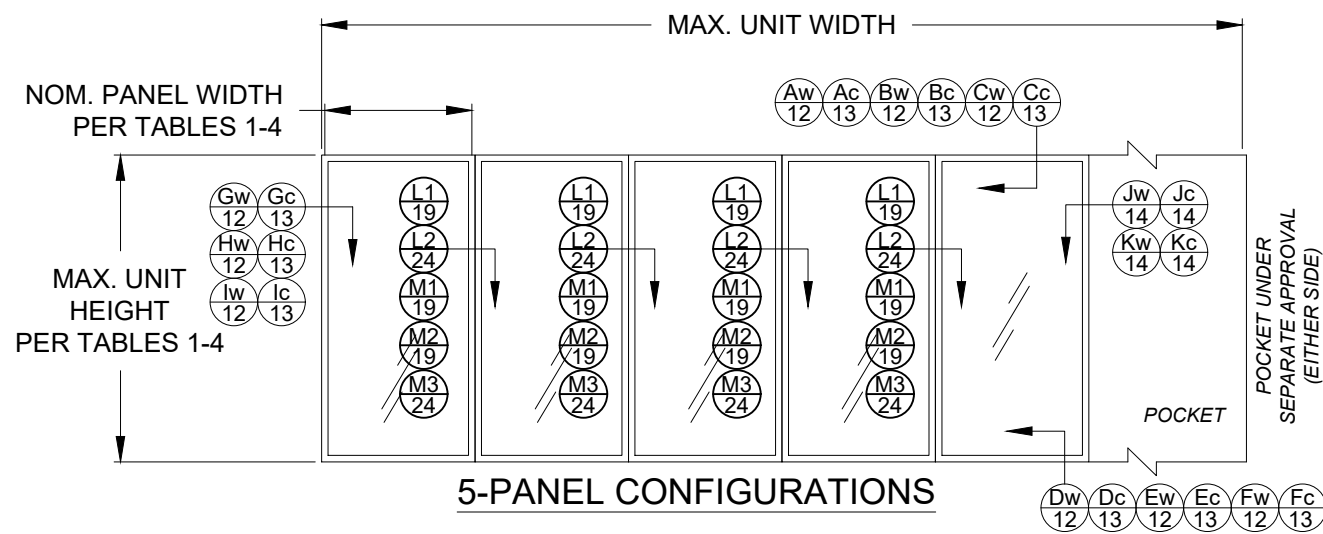
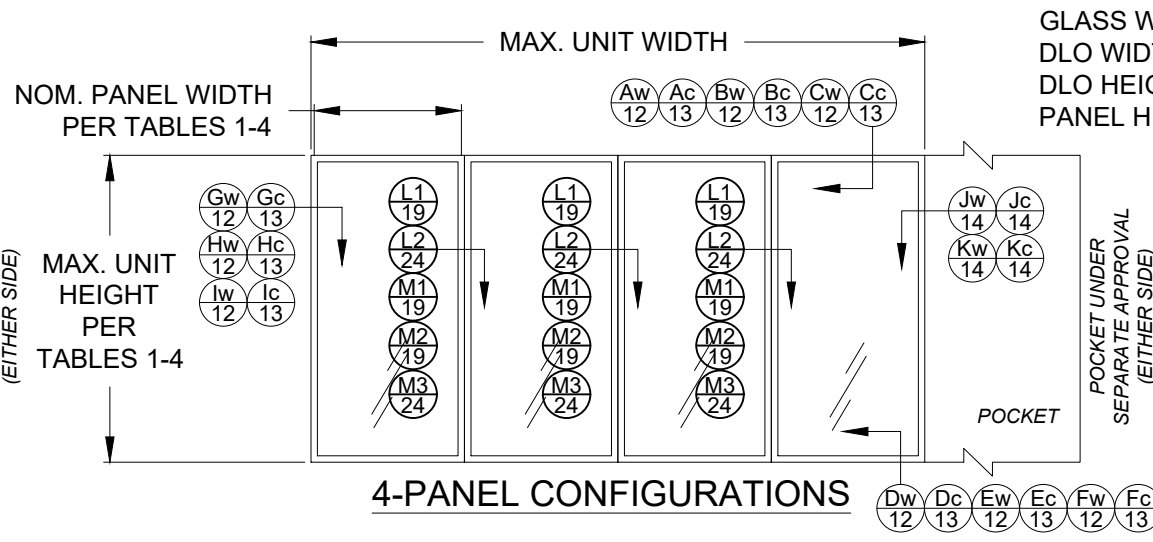
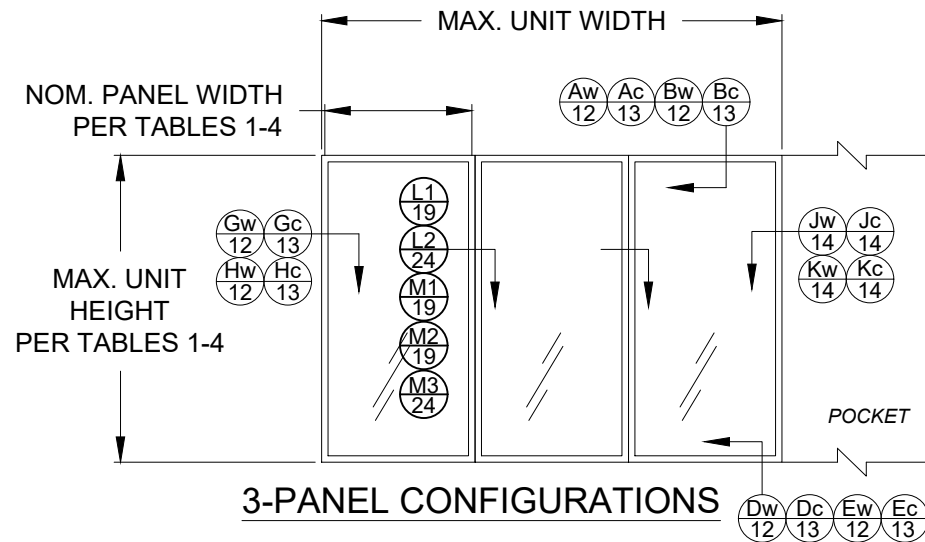
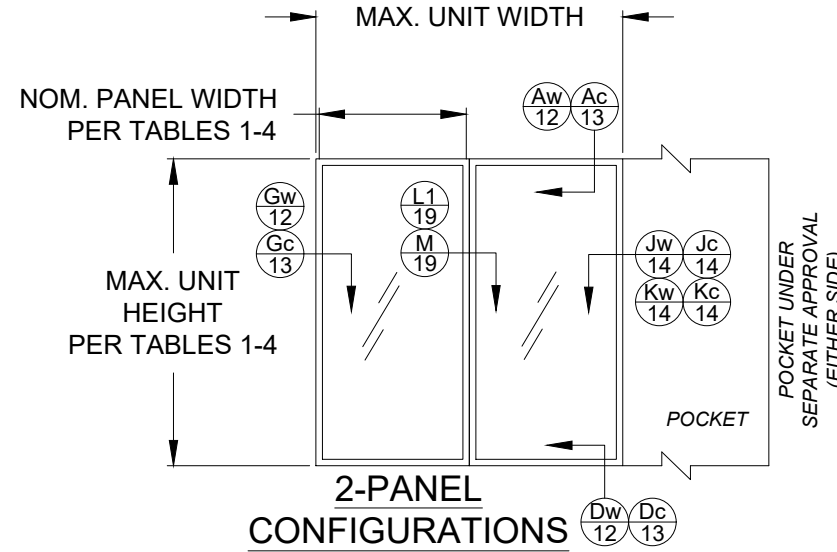
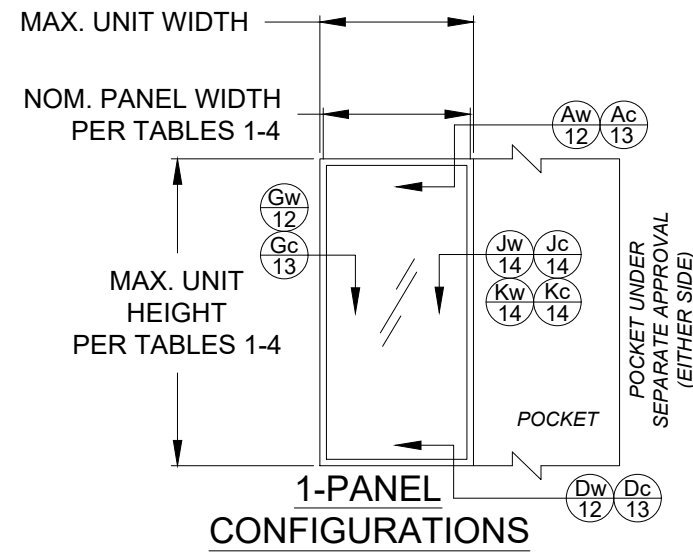
GENERAL NOTES.....	1
ANCHORAGE.....	1,6-8
EXAMPLE CONFIGS.....	2-3
GLAZING DETAILS.....	4,5
DESIGN PRESSURES.....	6-8
INSTALL DETAILS.....	12-14
ELEVATIONS.....	15,16
PANEL / SILL TYPES.....	17
CROSS SECTIONS.....	18,19
PARTS LIST.....	20
EXTRUSIONS.....	21,22
6'X10' SIZE DOOR.....	23, 24

PREPARED BY A. LYNN MILLER 1070 TECHNOLOGY DRIVE N. VENICE, FL 34275 (941) 480-1600	REGISTRATION #29296 COPYRIGHT © 2023 PGT, INC., LIMITED LICENSE TO MAKE COPIES FOR PERMITTING.	Date	12/16/22
		ALUMINUM NARROW STILE SLIDING GLASS DOOR (LM)	
 1070 TECHNOLOGY DRIVE N. VENICE, FL 34275 (941) 480-1600	A. MORLESIN Drawn By	770NSFPA-LM	
		GEN. NOTES AND ANCHOR	
1 OF 24		DWG No.	
SGD770NS		Sheet	
Series Desc. Title		1 OF 24	



A. LYNN MILLER, P.E.
P.E.# 58705

EXAMPLE CONFIGURATIONS



CONFIGURATIONS NOTES:

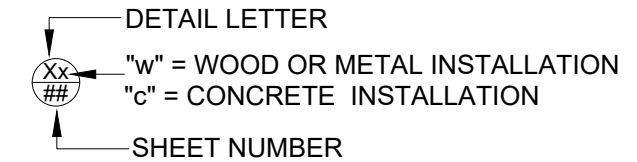
1) ALL CONFIGURATIONS SHOWN ARE ALSO AVAILABLE AS POCKET CONFIGURATIONS AT EITHER OR BOTH JAMB LOCATIONS USING DETAIL "Jw", "Jc", "Kw" OR "Kc" INSTALLATION. EXAMPLE: 4-PANEL XXXX IN POCKET (p) CONFIGURATION CAN BE pXXXXp, pXXXX OR XXXXp. OXXX IN POCKET CONFIGURATION CAN BE OXXXp.

2) 90° & 135° CORNER CONFIGURATIONS CAN BE A COMBINATION OF ANY 2 STRAIGHT CONFIGURATIONS.

3) FOR NOM. PANEL WIDTH, SEE TABLES 1-4.

4) FOR INSTALLATIONS IN THE HVHZ, LIMIT FRAME SQUARE FOOTAGE TO 375 S.F.

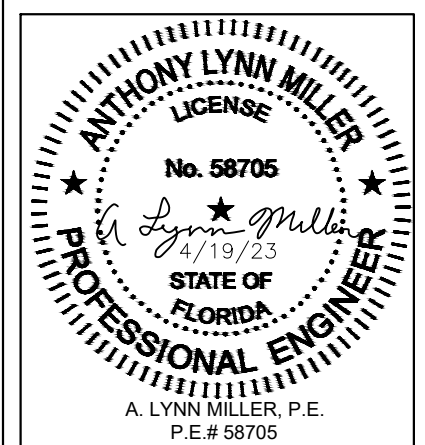
"X" = OPERABLE PANEL,
"O" = INOPERABLE PANEL,
"p" = POCKET



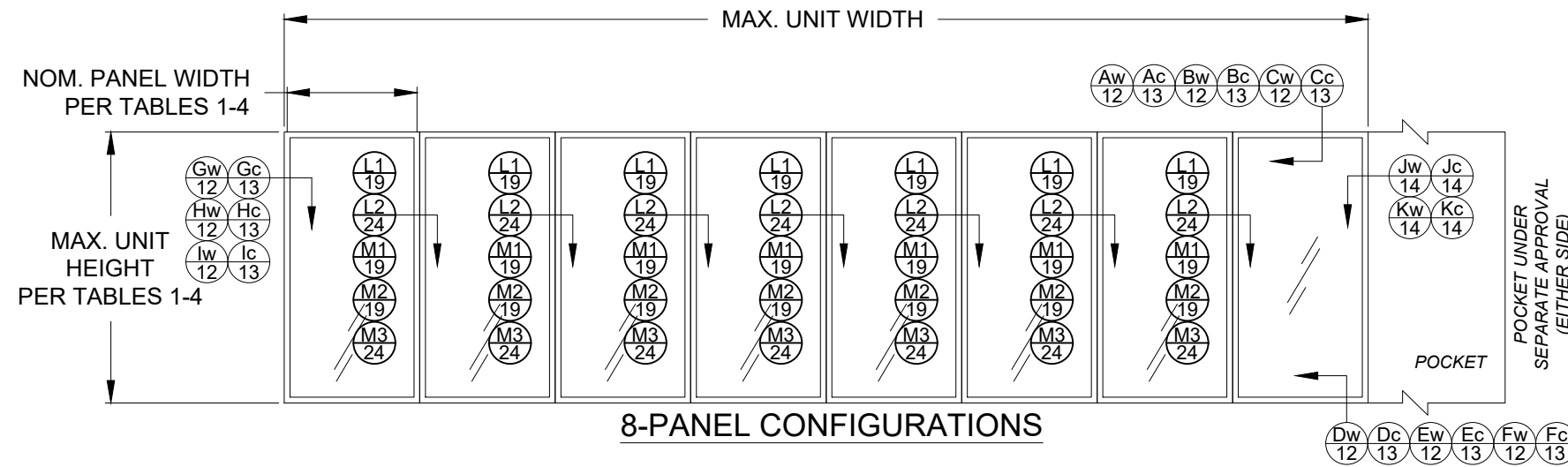
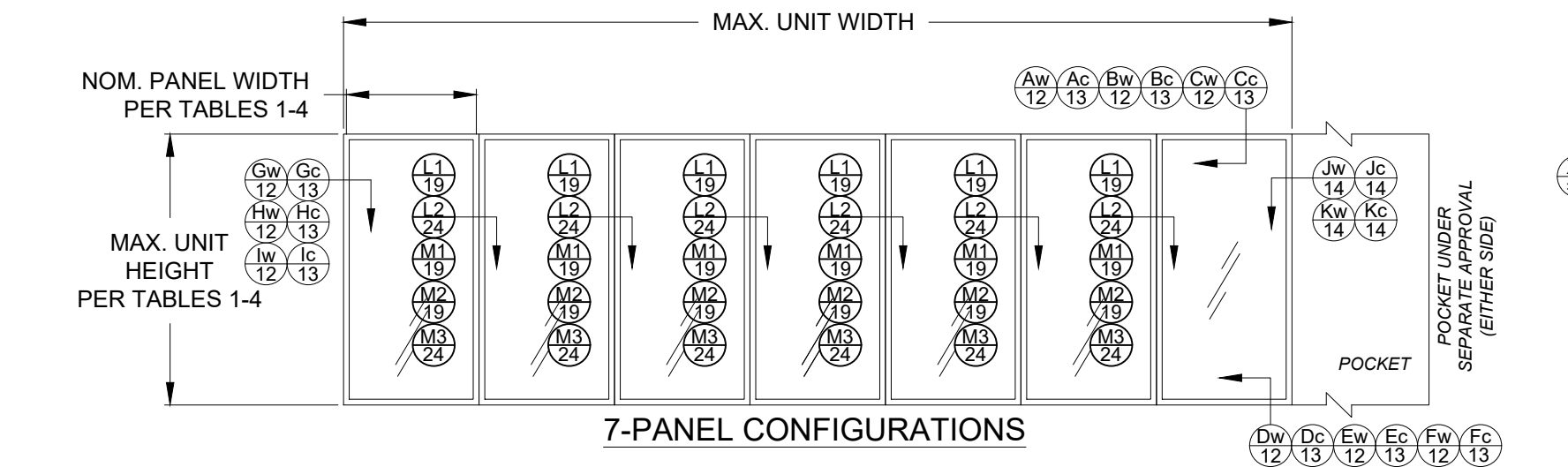
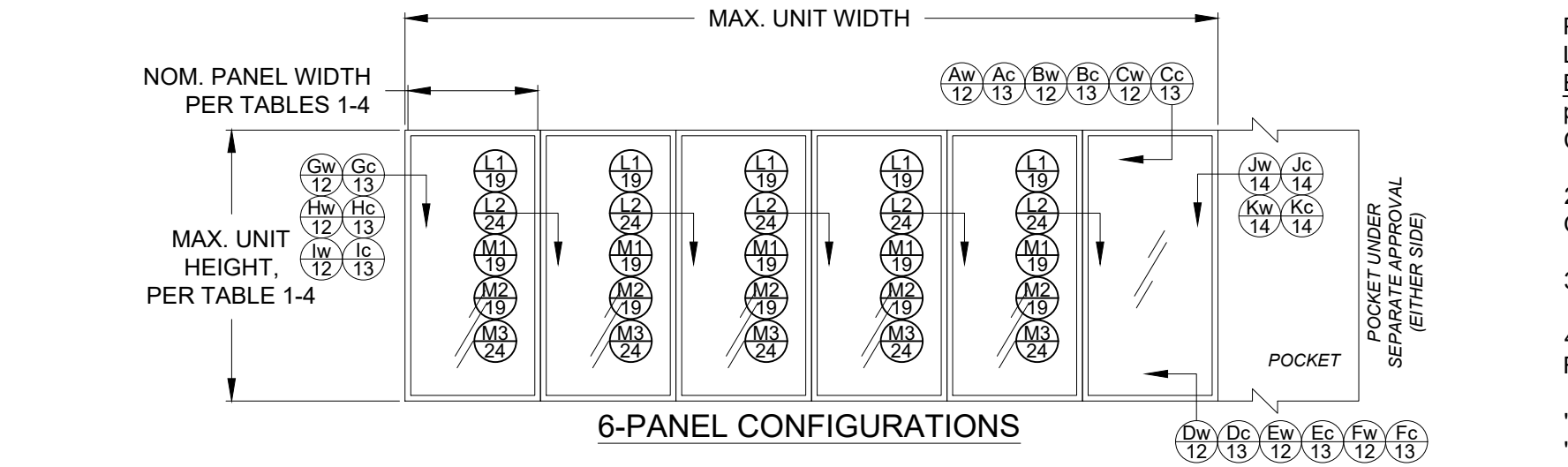
GLASS WIDTH = NOMINAL PANEL WIDTH - 3.25"
DLO WIDTH = NOM. PANEL WIDTH - 4.75"
DLO HEIGHT = DOOR UNIT HEIGHT - 10.125"
PANEL HEIGHT = DOOR UNIT HEIGHT - 1.866"

Rev. # 3/28/23
Date
UPDATE TABLE 4, 6'X10' DOOR SIZE

PREPARED BY A. LYNN MILLER 1070 TECHNOLOGY DRIVE N. VENICE, FL 34275 (941) 480-1600	REGISTRATION #29296 COPYRIGHT © 2023 PGT, INC., LIMITED LICENSE TO MAKE COPIES FOR PERMITTING.	Date 12/16/22
	Drawn By A. MORLESIN	No. 770NSFPA-LM
ALUMINUM NARROW STILE SLIDING GLASS DOOR (LM)		Sheet 2 OF 24
EXAMPLE CONFIGURATIONS		Series Desc. Title SGD770NS



EXAMPLE CONFIGURATIONS



CONFIGURATIONS NOTES:

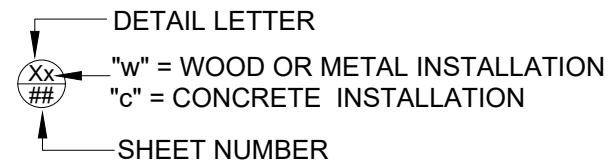
1) ALL CONFIGURATIONS SHOWN ARE ALSO AVAILABLE AS POCKET CONFIGURATIONS AT EITHER OR BOTH JAMB LOCATIONS USING DETAIL "Jw", "Jc", "Kw" OR "Kc" INSTALLATION. EXAMPLE: 4-PANEL XXXX IN POCKET (p) CONFIGURATION CAN BE pXXXXp, pXXXX OR XXXXp. OXXX IN POCKET CONFIGURATION CAN BE OXXXp.

2) 90° & 135° CORNER CONFIGURATIONS CAN BE A COMBINATION OF ANY 2 STRAIGHT CONFIGURATIONS.

3) FOR NOM. PANEL WIDTH, SEE TABLES 1-4.

4) FOR INSTALLATIONS IN THE HVHZ, LIMIT FRAME SQUARE FOOTAGE TO 375 S.F.

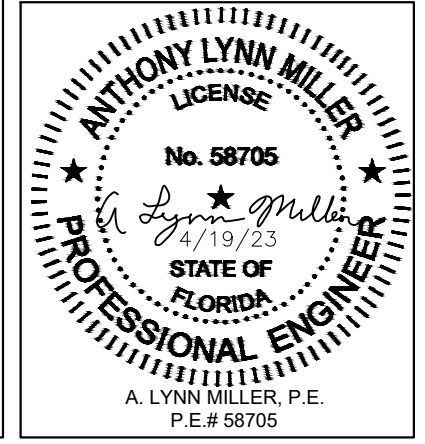
"X" = OPERABLE PANEL,
 "O" = INOPERABLE PANEL,
 "p" = POCKET



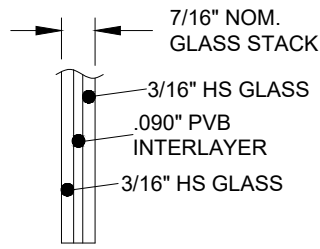
GLASS WIDTH = NOMINAL PANEL WIDTH - 3.25"
 DLO WIDTH = NOM. PANEL WIDTH - 4.75"
 DLO HEIGHT = DOOR UNIT HEIGHT - 10.125"
 PANEL HEIGHT = DOOR UNIT HEIGHT - 1.866"

Rev. # 3/28/23
 Date
 UPDATE TABLE 4, 6'X10' DOOR SIZE

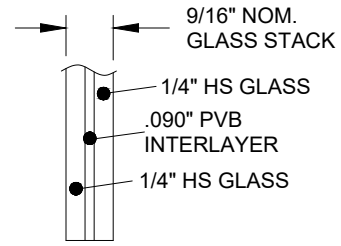
PREPARED BY A. LYNN MILLER 1070 TECHNOLOGY DRIVE N. VENICE, FL 34275 (941) 480-1600	REGISTRATION #29296 COPYRIGHT © 2023 PGT, INC., LIMITED LICENSE TO MAKE COPIES FOR PERMITTING.	Date 12/16/22	Drawn By A. MORLESIN	DWG No. 770NSFPA-LM
	1070 TECHNOLOGY DRIVE N. VENICE, FL 34275 (941) 480-1600	ALUMINUM NARROW STILE SLIDING GLASS DOOR (LM)	Series Desc. Title EXAMPLE CONFIGURATIONS	Sheet 3 OF 24



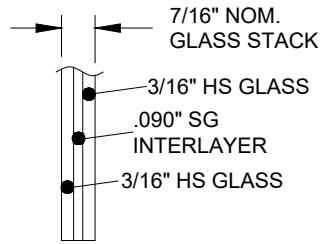
GLAZING DETAILS



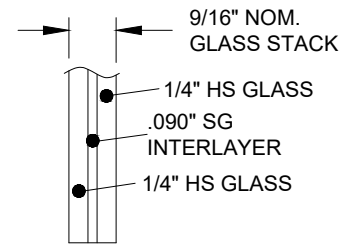
GLASS TYPE 3



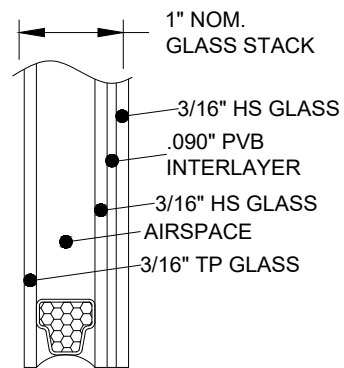
GLASS TYPE 3A



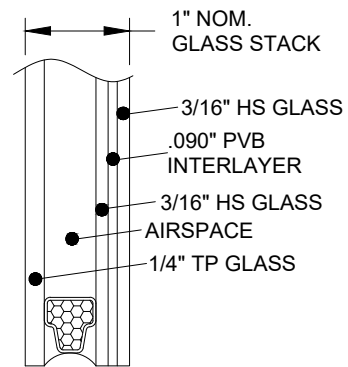
GLASS TYPE 4



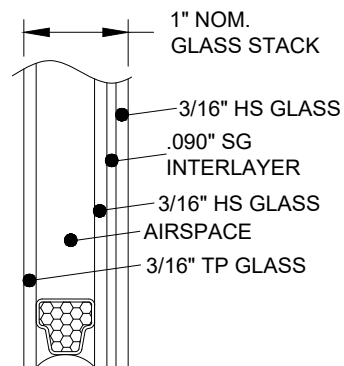
GLASS TYPE 4A



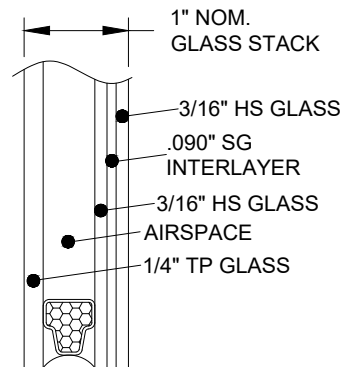
GLASS TYPE 5



GLASS TYPE 5A



GLASS TYPE 6



GLASS TYPE 6A

TABLE B:

Glass Type	Description (Listed from Exterior to Interior)
3	7/16" LAMI: 3/16" HS, .090" PVB, 3/16" HS
3A	9/16" LAMI: 1/4" HS, .090" PVB, 1/4" HS
4	7/16" LAMI: 3/16" HS, .090" SG, 3/16" HS
4A	9/16" LAMI: 1/4" HS, .090" SG, 1/4" HS
5	1" LAMI IG: 3/16" TP CAP, AIRSPACE, 3/16" HS, .090" PVB, 3/16" HS
5A	1" LAMI IG: 1/4" TP CAP, AIRSPACE, 3/16" HS, .090" PVB, 3/16" HS
6	1" LAMI IG: 3/16" TP CAP, AIRSPACE, 3/16" HS, .090" SG, 3/16" HS
6A	1" LAMI IG: 1/4" TP CAP, AIRSPACE, 3/16" HS, .090" SG, 3/16" HS

HS = HEAT STRENGTHENED
 TP = TEMPERED
 PVB = TROSIFOL PVB INTERLAYER BY KURARAY AMERICA, INC.
 SG = SENTRYGLAS PVB INTERLAYER BY KURARAY AMERICA, INC.

PREPARED BY A. LYNN MILLER 1070 TECHNOLOGY DRIVE N. VENICE, FL 34275 (941) 480-1600	REGISTRATION #29296 COPYRIGHT © 2023 PGT, INC., LIMITED LICENSE TO MAKE COPIES FOR PERMITTING.	Date 12/16/22	Drawn A. MORLESIN	DWG No. 770NSFPA-LM
	ALUMINUM NARROW STILE SLIDING GLASS DOOR (LM)			
1070 TECHNOLOGY DRIVE N. VENICE, FL 34275 (941) 480-1600		Series Desc. Title GLAZING DETAILS SGD770NS		

ANTHONY LYNN MILLER
 LICENSE
 No. 58705
 4/19/23
 STATE OF FLORIDA
 PROFESSIONAL ENGINEER
 A. LYNN MILLER, P.E.
 P.E.# 58705

GLAZING DETAILS, CONT.

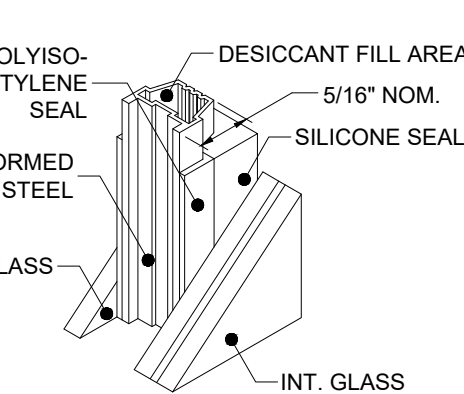
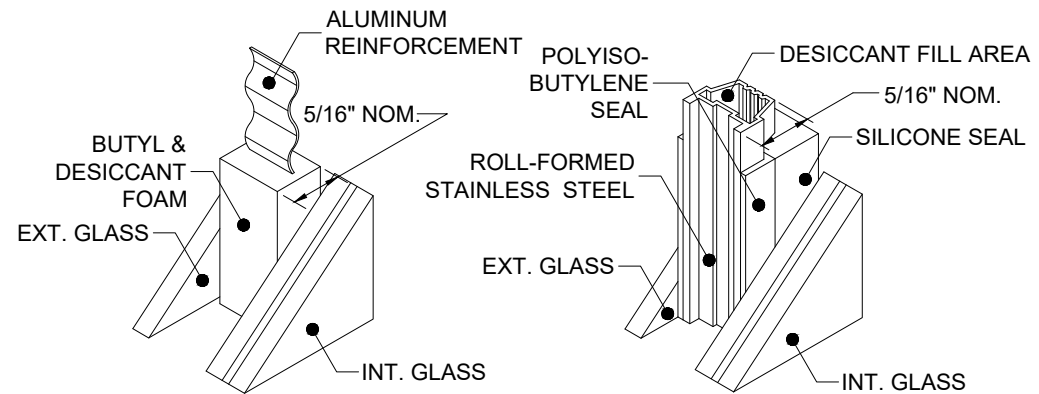
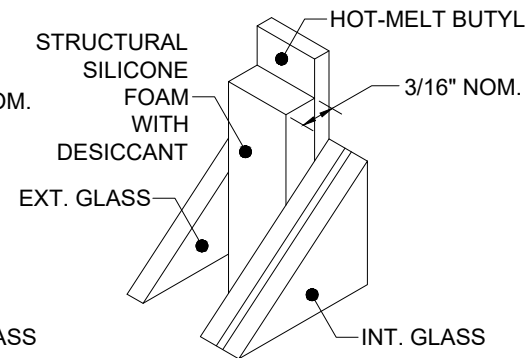
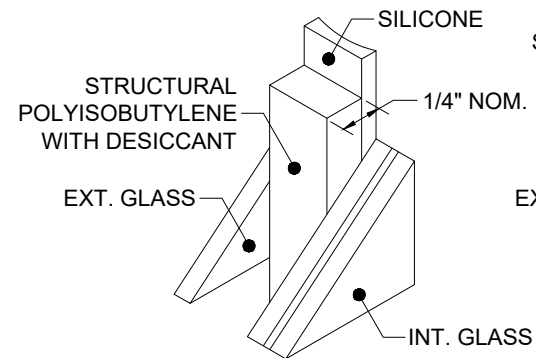
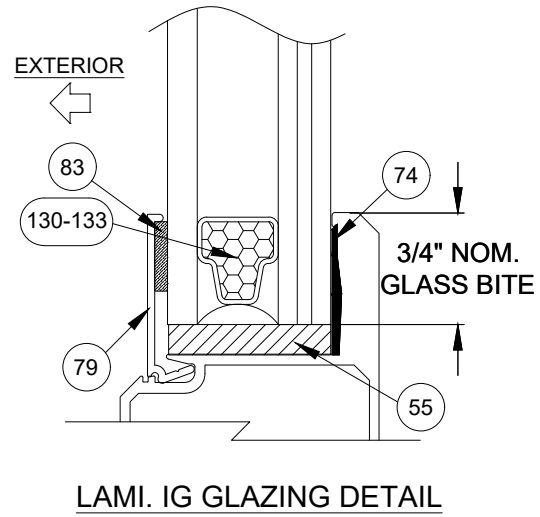
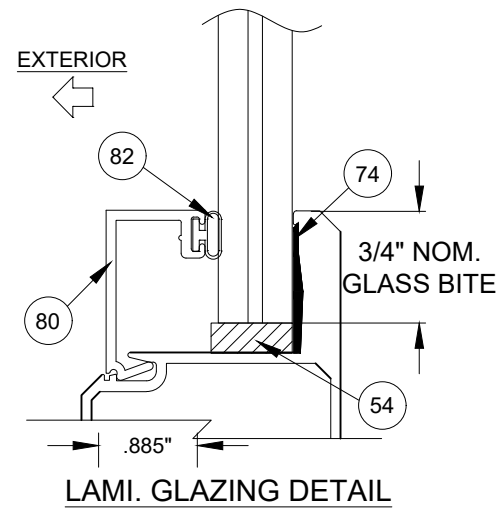


TABLE C:

Part #	Description	Material
130	Kommerling 4SG TPS Spacer System	See this Sheet for Materials
131	Quanex Super Spacer nXT with Hot Melt Butyl	
132	Quanex Duraseal Spacer	
133	Cardinal XL Edge Spacer	

REFERENCE TEST REPORTS: FTL-8717, 8968 & 8970

Rev. # 3/28/23 Date
 UPDATE TABLE 4, 6'X10' DOOR SIZE
 C

PREPARED BY A. LYNN MILLER 1070 TECHNOLOGY DRIVE N. VENICE, FL 34275 (941) 480-1600	REGISTRATION #29296 COPYRIGHT © 2023 PGT, INC., LIMITED LICENSE TO MAKE COPIES FOR PERMITTING.	Date: 12/16/22 By: A. MORLESIN	DWG No.: 770NSFPA-LM
	1070 TECHNOLOGY DRIVE N. VENICE, FL 34275 (941) 480-1600	ALUMINUM NARROW STILE SLIDING GLASS DOOR (LM)	Sheet: 5 OF 24
GLAZING DETAILS			Title: 770NSFPA-LM

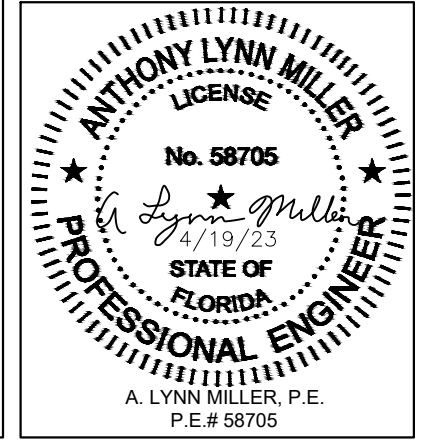


TABLE 1:

Design Pressure (DP) and Anchor Quantities Required, (for all approved configurations on Sheets 2 & 3)																				+60 / -60 psf			
For corner astragal anchorage on 90° or 135° corner units, see sheet 11																							
Table applies to: Glass Types 3, 3A, 5, & 5A. No reinf. required; see detail "M2", page 19 Pos. (+) DP may be limited by Table 1A.		Door Unit Height																					
		80"				84"				90"				96"				98"					
		69-7/8" DLO				73-7/8" DLO				79-7/8" DLO				79-7/8" DLO				85-7/8" DLO					
		Anchor Group				Anchor Group				Anchor Group				Anchor Group				Anchor Group					
		A	B	C	D	A	B	C	D	A	B	C	D	A	B	C	D	A	B	C	D		
Nominal Panel Width (in)	24"	19-1/4" DLO	Head/Sill	C4+1	C4+1	C4+1	C4+1	C4+1	C4+1	C4+1	C4+1	C4+1	C4+1	C4+1	C4+1	C4+1	C4+1	C4+1	C4+1	C4+1	C4+1	C4+1	C4+1
			Jamb	6	6	6	6	6	6	6	6	6	6	6	6	6	6	6	6	6	6	6	6
			P-hook	6+7	6+7	6+7	6+7	6+7	6+7	6+7	6+7	7+8	7+8	7+8	7+8	7+8	7+8	7+8	7+8	7+8	7+8	7+8	7+8
	30"	25-1/4" DLO	Head/Sill	C4+1	C4+1	C4+1	C4+1	C4+1	C4+1	C4+1	C4+1	C4+1	C4+1	C4+1	C4+1	C4+1	C4+1	C4+1	C4+1	C4+1	C4+1	C4+1	C4+1
			Jamb	6	6	6	6	6	6	6	6	6	6	6	6	6	6	6	6	6	6	6	6
			P-hook	6+7	6+7	6+7	6+7	6+7	6+7	6+7	6+7	7+8	7+8	7+8	7+8	7+8	7+8	7+8	7+8	7+8	7+8	7+8	7+8
	36"	31-1/4" DLO	Head/Sill	C4+1	C4+1	C4+1	C4+1	C4+1	C4+1	C4+1	C4+1	C4+1	C4+1	C4+1	C4+1	C4+1	C4+1	C4+1	C4+1	C4+1	C4+1	C4+1	C4+1
			Jamb	6	6	6	6	6	6	6	6	6	6	6	6	8	6	6	6	8	6	6	6
			P-hook	6+7	6+7	6+7	6+7	6+7	6+7	6+7	6+7	7+8	7+8	7+8	7+8	7+8	7+8	7+8	7+8	7+8	7+8	7+8	7+8
	42"	37-1/4" DLO	Head/Sill	C4+1	C4+1	C4+1	C4+1	C4+1	C4+1	C4+1	C4+1	C4+1	C4+1	C4+1	C4+1	C4+1	C4+1	C4+1	C4+1	C4+1	C4+1	C4+1	C4+1
			Jamb	6	6	6	6	6	6	6	6	8	6	6	6	8	6	6	6	8	6	6	6
			P-hook	6+7	6+7	6+7	6+7	6+7	6+7	6+7	6+7	7+8	7+8	7+8	7+8	7+8	7+8	7+8	7+8	7+8	7+8	7+8	7+8
	47"	42-1/4" DLO	Head/Sill	C4+1	C4+1	C4+1	C4+1	C4+1	C4+1	C4+1	C4+1	C4+1	C4+1	C4+1	C4+1	C4+1	C4+1	C4+1	C4+1	C4+1	C4+1	C4+1	C4+1
			Jamb	8	6	6	6	8	6	6	6	8	6	6	6	8	8	6	6	10	8	6	6
			P-hook	6+7	6+7	6+7	6+7	6+7	6+7	6+7	6+7	7+8	7+8	7+8	7+8	7+8	7+8	7+8	7+8	7+8	7+8	7+8	7+8
	48"	43-1/4" DLO	Head/Sill	C4+1	C4+1	C4+1	C4+1	C4+1	C4+1	C4+1	C4+1	C4+1	C4+1	C4+1	C4+1	C4+1	C4+1	C4+1	C4+1	C4+1	C4+1	C4+1	C4+1
			Jamb	8	6	6	6	8	6	6	6	8	6	6	6	8	8	6	6				
			P-hook	6+7	6+7	6+7	6+7	6+7	6+7	6+7	6+7	7+8	7+8	7+8	7+8	7+8	7+8	7+8	7+8				

FOR EXAMPLE ON USING TABLE, SEE SHEET 9.

GLASS WIDTH = NOMINAL PANEL WIDTH - 3.25"
 DLO WIDTH = NOM. PANEL WIDTH - 4.75"
 DLO HEIGHT = DOOR UNIT HEIGHT - 10.125"
 PANEL HEIGHT = DOOR UNIT HEIGHT - 1.866"

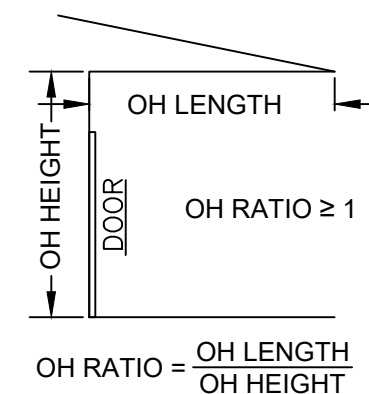
NOTES:

- 1) POSITIVE PRESSURES IN TABLE 1 ARE BASED ON THE USE OF THE 3-1/4" SILL.
- 2) WHEN USING THE 2-1/2" SILL, POSITIVE WATER DP IS 46.67 PSF MAX. WHEN USING THE 3-1/4" SILL, POSITIVE WATER DP IS 60.0 PSF MAX. WHEN USING THE 4" SILL, POSITIVE WATER DP IS 60.0 PSF MAX (NEGATIVE PRESSURES UNCHANGED). SEE TABLE 1A.
- 3) 4", 3-1/4" AND 2-1/2" SILL HEIGHTS ARE TESTED FOR WATER INFILTRATION WHEREAS THE 1-1/2" SILL IS NOT AND MUST ONLY BE USED WHERE WATER RESISTANCE IS NOT REQUIRED. MAX. POSITIVE DESIGN PRESSURES SHOWN IN TABLE 1 MAY BE USED WHEN THE DOOR IS PROTECTED BY AN OVERHANG COMPLYING WITH THE CURRENT FLORIDA BUILDING CODE (SEE ADJACENT DIAGRAM); THIS CONDITION IS NOT RATED FOR WATER INFILTRATION.
- 4) SEE SHEETS 10-14 FOR ANCHORAGE SPACING, EDGE DISTANCE AND EMBEDMENT INFORMATION.
- 5) DOOR SIZE TO COMPLY WITH CURRENT FBC EGRESS REQUIREMENTS WHEN REQUIRED.
- 6) JAMB ANCHORS ARE SPECIFIED AS THE TOTAL QUANTITY, DIVIDE BY 2 FOR PAIRS TO BE INSTALLED.

TABLE 1A:

Sill Height to Max. (+) DP (Water Infiltration Rating)	
Sill Riser Height (Flat or Box, see Sheet 17)	(+) Design Pressure, psf
Flush - 1-1/2"	see note 3
Low - 2-1/2"	+ 46.67
Medium - 3-1/4"	+ 60.0
High - 4"	+ 60.0

SEE NOTES 1-3



PREPARED BY A. LYNN MILLER 1070 TECHNOLOGY DRIVE N. VENICE, FL 34275 (941) 480-1600	REGISTRATION #29296 COPYRIGHT © 2023 PGT, INC., LIMITED LICENSE TO MAKE COPIES FOR PERMITTING.	Date 12/16/22	Drawn By A. MORLESIN	DWG No. 770NSFPA-LM
	1070 TECHNOLOGY DRIVE N. VENICE, FL 34275 (941) 480-1600	ALUMINUM NARROW STILE SLIDING GLASS DOOR (LM)	Series DP & ANCHORAGE	Sheet 6 OF 24

ANTHONY LYNN MILLER
 LICENSE
 No. 58705
 4/19/23
 STATE OF FLORIDA
 PROFESSIONAL ENGINEER
 A. LYNN MILLER, P.E.
 P.E.# 58705

Rev. #
 3/28/23
 Date
 Rev.
 UPDATE TABLE 4, 6X10' DOOR SIZE

TABLE 2:

Table applies to: Glass Types 4, 4A, 6, & 6A. Reinf. required; see detail "M1", page 19 Pos. (+) DP may be limited by Table 2A.		Design Pressure (DP) and Anchor Quantities Required, (for all approved configurations on Sheets 2 & 3)																													
		For corner astragal anchorage on 90° or 135° corner units, see sheet 11																													
		Door Unit Height																													
		80"				84"				90"				96"				102"				108"				114"				120"	
69-7/8" DLO				73-7/8" DLO				79-7/8" DLO				85-7/8" DLO				91-7/8" DLO				97-7/8" DLO				103-7/8" DLO				109-7/8" DLO			
Anchor Group				Anchor Group				Anchor Group				Anchor Group				Anchor Group				Anchor Group				Anchor Group							
A	B	C	D	A	B	C	D	A	B	C	D	A	B	C	D	A	B	C	D	A	B	C	D	A	B	C	D	A	B	C	D
Nominal Panel Width	24"	19-1/4" DLO	Design Pressure	For these sizes: see table 3 on sheet 8																											
			Head/Sill																												
			Jamb																												
	30"	25-1/4" DLO	P-hook																												
			Design Pressure																												
			Head/Sill																												
	36"	31-1/4" DLO	Jamb																												
			P-hook																												
			Design Pressure																												
	42"	37-1/4" DLO	Head/Sill																												
			Jamb																												
			P-hook																												
48"	43-1/4" DLO	Design Pressure																													
		Head/Sill																													
		Jamb																													
54"	49-1/4" DLO	P-hook																													
		Design Pressure																													
		Head/Sill																													
60"	55-1/4" DLO	Jamb																													
		P-hook																													
		Design Pressure																													

FOR EXAMPLE ON USING TABLE, SEE SHEET 9.

GLASS WIDTH = NOMINAL PANEL WIDTH - 3.25"
 DLO WIDTH = NOM. PANEL WIDTH - 4.75"
 DLO HEIGHT = DOOR UNIT HEIGHT - 10.125"
 PANEL HEIGHT = DOOR UNIT HEIGHT - 1.866"

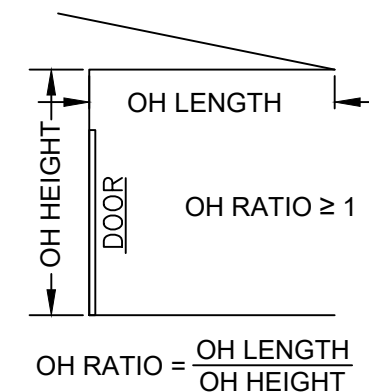
NOTES:

- 1) POSITIVE PRESSURES IN TABLE 2 ARE BASED ON THE USE OF THE 3-1/4" SILL.
- 2) WHEN USING THE 2-1/2" SILL, POSITIVE WATER DP IS 46.67 PSF MAX. WHEN USING THE 3-1/4" SILL, POSITIVE WATER DP IS 60.0 PSF MAX. WHEN USING THE 4" SILL, POSITIVE WATER DP IS 60.0 PSF MAX (NEGATIVE PRESSURES UNCHANGED). SEE TABLE 3A.
- 3) 4", 3-1/4" AND 2-1/2" SILL HEIGHTS ARE TESTED FOR WATER INFILTRATION WHEREAS THE 1-1/2" SILL IS NOT AND MUST ONLY BE USED WHERE WATER RESISTANCE IS NOT REQUIRED. MAX. POSITIVE DESIGN PRESSURES SHOWN IN TABLE 3 MAY BE USED WHEN THE DOOR IS PROTECTED BY AN OVERHANG COMPLYING WITH THE CURRENT FLORIDA BUILDING CODE (SEE ADJACENT DIAGRAM); THIS CONDITION IS NOT RATED FOR WATER INFILTRATION.
- 4) SEE SHEETS 10-14 FOR ANCHORAGE SPACING, EDGE DISTANCE AND EMBEDMENT INFORMATION.
- 5) DOOR SIZE TO COMPLY WITH CURRENT FBC EGRESS REQUIREMENTS WHEN REQUIRED.
- 6) JAMB ANCHORS ARE SPECIFIED AS THE TOTAL QUANTITY, DIVIDE BY 2 FOR PAIRS TO BE INSTALLED.

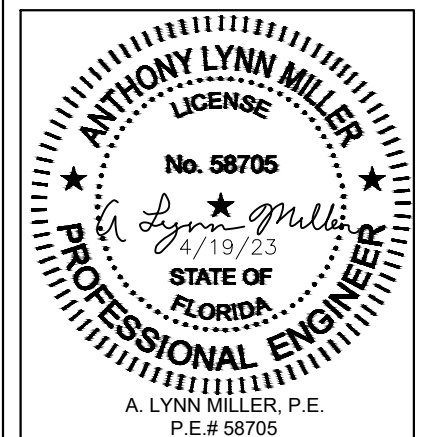
TABLE 2A:

Sill Height to Max. (+) DP (Water Infiltration Rating)	
Sill Riser Height (Flat or Box, see Sheet 17)	(+) Design Pressure, psf
Flush - 1-1/2"	see note 3
Low - 2-1/2"	+ 46.67
Medium - 3-1/4"	+ 60.0
High - 4"	+ 60.0

SEE NOTES 1-3



PREPARED BY A. LYNN MILLER 1070 TECHNOLOGY DRIVE N. VENICE, FL 34275 (941) 480-1600	REGISTRATION #29296 COPYRIGHT © 2023 PGT, INC., LIMITED LICENSE TO MAKE COPIES FOR PERMITTING.	Date 12/16/22	Drawn By A. MORLESIN	DWG No. 770NSFPA-LM
	1070 TECHNOLOGY DRIVE N. VENICE, FL 34275 (941) 480-1600	Title ALUMINUM NARROW STILE SLIDING GLASS DOOR (LM)		
Series DP & ANCHORAGE		Desc. SGD770NS		



Rev. # 3/28/23
 Date
 UPDATE TABLE 4, 6X10' DOOR SIZE

TABLE 3:

Design Pressure (DP) and Anchor Quantities Required, (for all approved configurations on Sheets 2 & 3)																	+90 / -90 psf		
For comer astragal anchorage on 90° or 135° comer units, see sheet 11																			
Table applies to: Glass Types 4, 4A, 6, & 6A. No reinf. required; see detail "M2", page 19 Pos. (+) DP may be limited by Table 3A.			Door Unit Height																
			80"				84"				90"				96"				
			69-7/8" DLO				73-7/8" DLO				79-7/8" DLO				85-7/8" DLO				
			Anchor Group				Anchor Group				Anchor Group				Anchor Group				
			A	B	C	D	A	B	C	D	A	B	C	D	A	B	C	D	
Nominal Panel Width	24"	19-1/4" DLO	Head/Sill	C4+1	C4+1	C4+1	C4+1	C4+1	C4+1	C4+1	C4+1	C4+1	C4+1	C4+1	C4+1	C4+1	C4+1	C4+1	C4+1
			Jamb	8	8	8	8	8	8	8	8	8	8	8	8	8	8	8	8
			P-hook	6+7	6+7	6+7	6+7	6+7	6+7	6+7	6+7	7+8	7+8	7+8	7+8	7+8	7+8	7+8	7+8
	30"	25-1/4" DLO	Head/Sill	C4+1	C4+1	C4+1	C4+1	C4+1	C4+1	C4+1	C4+1	C4+1	C4+1	C4+1	C4+1	C4+1	C4+1	C4+1	C4+1
			Jamb	8	8	8	8	8	8	8	8	8	8	8	8	10	8	8	8
			P-hook	6+7	6+7	6+7	6+7	6+7	6+7	6+7	6+7	7+8	7+8	7+8	7+8	7+8	7+8	7+8	7+8
	36"	31-1/4" DLO	Head/Sill	C4+1	C4+1	C4+1	C4+1	C4+1	C4+1	C4+1	C4+1	C4+1	C4+1	C4+1	C4+1	C5+1	C5+1	C4+1	C4+1
			Jamb	8	8	8	8	10	8	8	8	10	8	8	8	10	8	8	8
			P-hook	6+7	6+7	6+7	6+7	6+7	6+7	6+7	6+7	7+8	7+8	7+8	7+8	7+8	7+8	7+8	7+8
	42"	37-1/4" DLO	Head/Sill	C4+1	C4+1	C4+1	C4+1	C4+1	C4+1	C4+1	C4+1	C5+1	C5+1	C5+1	C5+1	C5+1	C5+1	C5+1	C5+1
			Jamb	10	8	8	8	10	8	8	8	12	8	8	8	12	10	8	8
			P-hook	6+7	6+7	6+7	6+7	7+8	7+8	7+8	7+8	7+8	7+8	7+8	7+8	8+9	8+9	8+9	8+9
48"	43-1/4" DLO	Head/Sill	C5+2	C5+2	C4+2	C4+2	C5+2	C5+2	C5+2	C5+2	C5+2	C5+2	C5+2	C5+2	C6+2	C6+2	C5+2	C5+2	
		Jamb	10	8	8	8	12	8	8	8	12	10	8	8	14	10	8	8	
		P-hook	7+8	7+8	7+8	7+8	7+8	7+8	7+8	7+8	8+9	8+9	8+9	8+9	9+10	9+10	9+10	9+10	

FOR EXAMPLE ON USING TABLE, SEE SHEET 9.

EXAMPLE ON SHEET 9

GLASS WIDTH = NOMINAL PANEL WIDTH - 3.25"
DLO WIDTH = NOM. PANEL WIDTH - 4.75"
DLO HEIGHT = DOOR UNIT HEIGHT - 10.125"
PANEL HEIGHT = DOOR UNIT HEIGHT - 1.866"

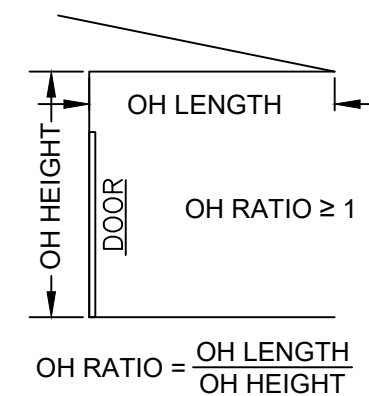
NOTES:

- 1) POSITIVE PRESSURES IN TABLE 3 ARE BASED ON THE USE OF THE 4" SILL.
- 2) WHEN USING THE 2-1/2" SILL, POSITIVE WATER DP IS 46.67 PSF MAX. WHEN USING THE 3-1/4" SILL, POSITIVE WATER DP IS 60.0 PSF MAX. WHEN USING THE 4" SILL, POSITIVE WATER DP IS 90.0 PSF MAX (NEGATIVE PRESSURES UNCHANGED). SEE TABLE 3A.
- 3) 4", 3-1/4" AND 2-1/2" SILL HEIGHTS ARE TESTED FOR WATER INFILTRATION WHEREAS THE 1-1/2" SILL IS NOT AND MUST ONLY BE USED WHERE WATER RESISTANCE IS NOT REQUIRED. MAX. POSITIVE DESIGN PRESSURES SHOWN IN TABLE 3 MAY BE USED WHEN THE DOOR IS PROTECTED BY AN OVERHANG COMPLYING WITH THE CURRENT FLORIDA BUILDING CODE (SEE ADJACENT DIAGRAM); THIS CONDITION IS NOT RATED FOR WATER INFILTRATION.
- 4) SEE SHEETS 10-14 FOR ANCHORAGE SPACING, EDGE DISTANCE AND EMBEDMENT INFORMATION.
- 5) DOOR SIZE TO COMPLY WITH CURRENT FBC EGRESS REQUIREMENTS WHEN REQUIRED.
- 6) JAMB ANCHORS ARE SPECIFIED AS THE TOTAL QUANTITY, DIVIDE BY 2 FOR PAIRS TO BE INSTALLED.

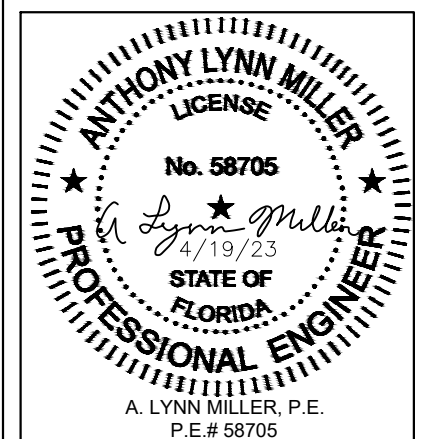
TABLE 3A:

Sill Height to Max. (+) DP (Water Infiltration Rating)	
Sill Riser Height (Flat or Box, see Sheet 17)	(+) Design Pressure, psf
Flush - 1-1/2"	see note 3
Low - 2-1/2"	+ 46.67
Medium - 3-1/4"	+ 60.0
High - 4"	+ 90.0

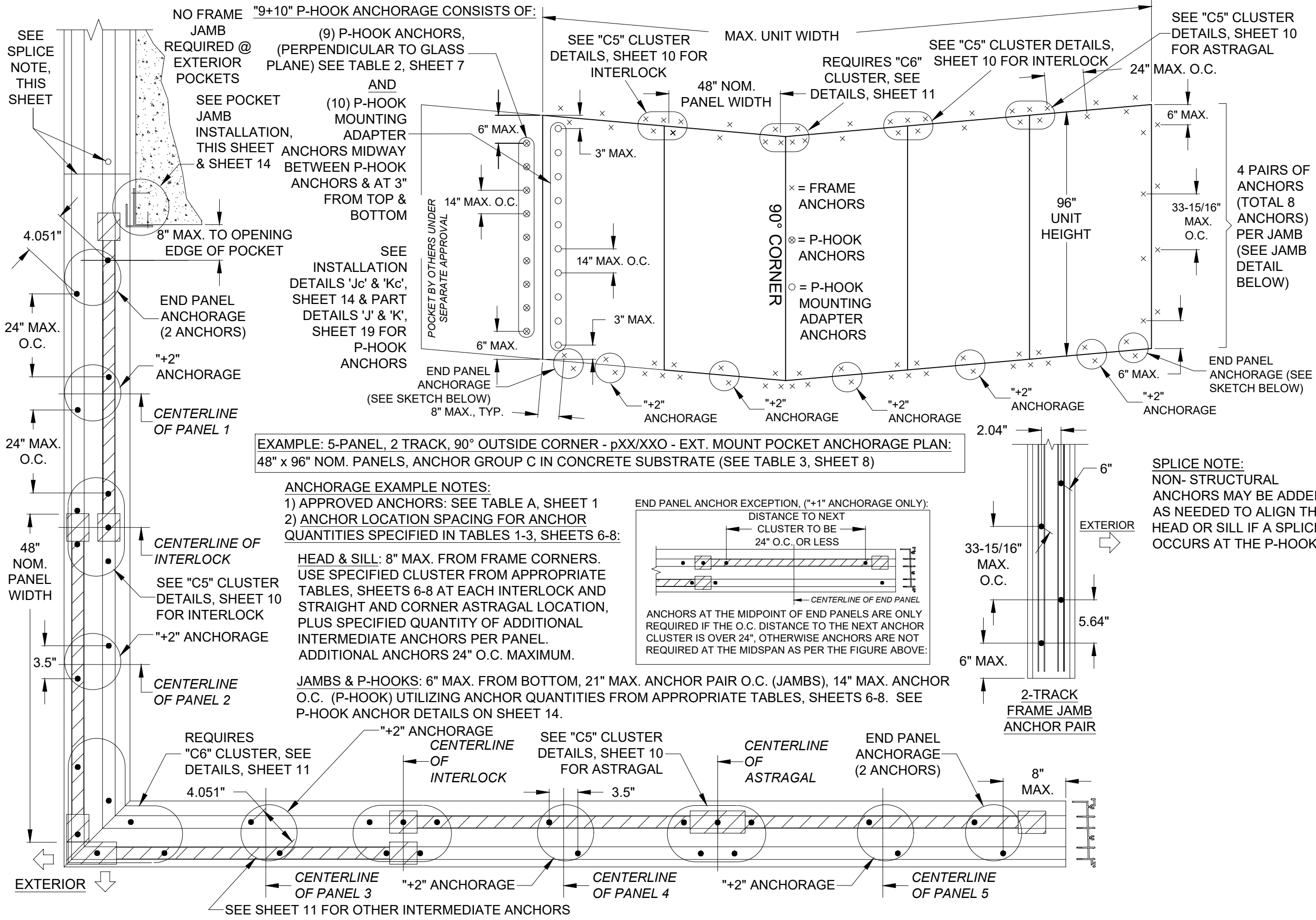
SEE NOTES 1-3



PREPARED BY A. LYNN MILLER 1070 TECHNOLOGY DRIVE N. VENICE, FL 34275 (941) 480-1600	REGISTRATION #29296 COPYRIGHT © 2023 PGT, INC., LIMITED LICENSE TO MAKE COPIES FOR PERMITTING.	Date 12/16/22	Drawn By A. MORLESIN	DWG No. 770NSFPA-LM
	1070 TECHNOLOGY DRIVE N. VENICE, FL 34275 (941) 480-1600	Title ALUMINUM NARROW STILE SLIDING GLASS DOOR (LM)		
Sheet 8 OF 24		Desc. DP & ANCHORAGE		Series SGD770NS



Rev. #
 3/28/23
 Date
 UPDATE TABLE 4, 6X10' DOOR SIZE
 Rev.



NO FRAME JAMB REQUIRED @ EXTERIOR POCKETS

"9+10" P-HOOK ANCHORAGE CONSISTS OF:
(9) P-HOOK ANCHORS, (PERPENDICULAR TO GLASS PLANE) SEE TABLE 2, SHEET 7
AND
(10) P-HOOK MOUNTING ADAPTER ANCHORS MIDWAY BETWEEN P-HOOK ANCHORS & AT 3" FROM TOP & BOTTOM

SEE POCKET JAMB INSTALLATION, THIS SHEET & SHEET 14
SEE "C5" CLUSTER DETAILS, SHEET 10 FOR INTERLOCK
SEE "C5" CLUSTER DETAILS, SHEET 10 FOR INTERLOCK
SEE "C5" CLUSTER DETAILS, SHEET 10 FOR ASTRAGAL
24" MAX. O.C.
6" MAX.
33-15/16" MAX. O.C.
4 PAIRS OF ANCHORS (TOTAL 8 ANCHORS) PER JAMB (SEE JAMB DETAIL BELOW)

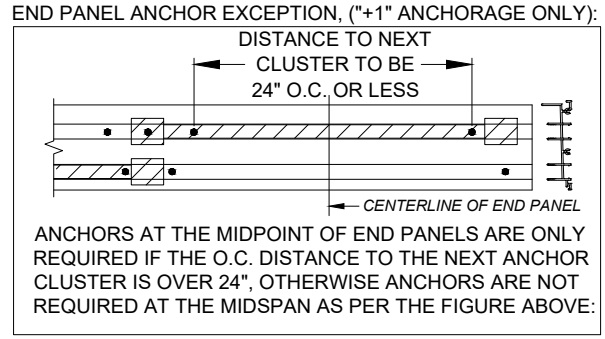
SEE INSTALLATION DETAILS 'Jc' & 'Kc', SHEET 14 & PART DETAILS 'J' & 'K', SHEET 19 FOR P-HOOK ANCHORS
SEE POCKET JAMB INSTALLATION, THIS SHEET & SHEET 14
8" MAX. TO OPENING EDGE OF POCKET
END PANEL ANCHORAGE (2 ANCHORS)
"+2" ANCHORAGE
CENTERLINE OF PANEL 1
24" MAX. O.C.
24" MAX. O.C.
48" NOM. PANEL WIDTH
CENTERLINE OF INTERLOCK
SEE "C5" CLUSTER DETAILS, SHEET 10 FOR INTERLOCK
"+2" ANCHORAGE
CENTERLINE OF PANEL 2
3.5"

EXAMPLE: 5-PANEL, 2 TRACK, 90° OUTSIDE CORNER - pXX/XXO - EXT. MOUNT POCKET ANCHORAGE PLAN: 48" x 96" NOM. PANELS, ANCHOR GROUP C IN CONCRETE SUBSTRATE (SEE TABLE 3, SHEET 8)

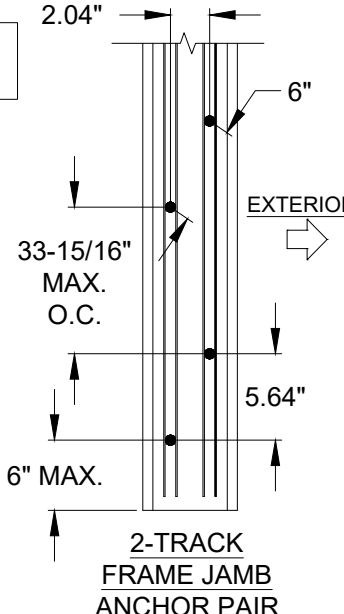
ANCHORAGE EXAMPLE NOTES:
1) APPROVED ANCHORS: SEE TABLE A, SHEET 1
2) ANCHOR LOCATION SPACING FOR ANCHOR QUANTITIES SPECIFIED IN TABLES 1-3, SHEETS 6-8:

HEAD & SILL: 8" MAX. FROM FRAME CORNERS. USE SPECIFIED CLUSTER FROM APPROPRIATE TABLES, SHEETS 6-8 AT EACH INTERLOCK AND STRAIGHT AND CORNER ASTRAGAL LOCATION, PLUS SPECIFIED QUANTITY OF ADDITIONAL INTERMEDIATE ANCHORS PER PANEL. ADDITIONAL ANCHORS 24" O.C. MAXIMUM.

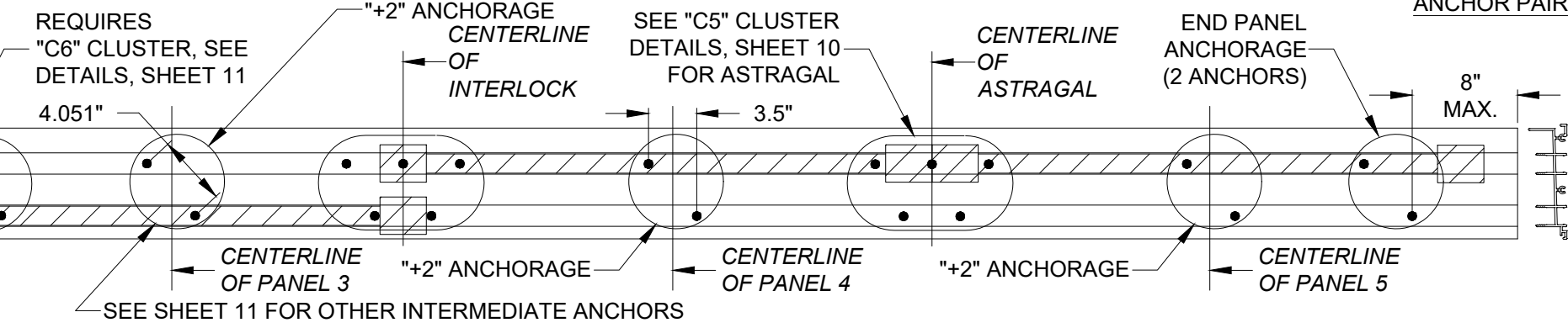
JAMBS & P-HOOKS: 6" MAX. FROM BOTTOM, 21" MAX. ANCHOR PAIR O.C. (JAMBS), 14" MAX. ANCHOR O.C. (P-HOOK) UTILIZING ANCHOR QUANTITIES FROM APPROPRIATE TABLES, SHEETS 6-8. SEE P-HOOK ANCHOR DETAILS ON SHEET 14.



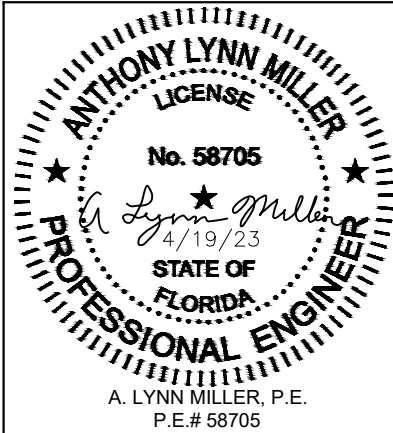
END PANEL ANCHOR EXCEPTION, ("+1" ANCHORAGE ONLY):
DISTANCE TO NEXT ANCHOR CLUSTER TO BE 24" O.C. OR LESS
ANCHORS AT THE MIDPOINT OF END PANELS ARE ONLY REQUIRED IF THE O.C. DISTANCE TO THE NEXT ANCHOR CLUSTER IS OVER 24", OTHERWISE ANCHORS ARE NOT REQUIRED AT THE MIDSPAN AS PER THE FIGURE ABOVE:



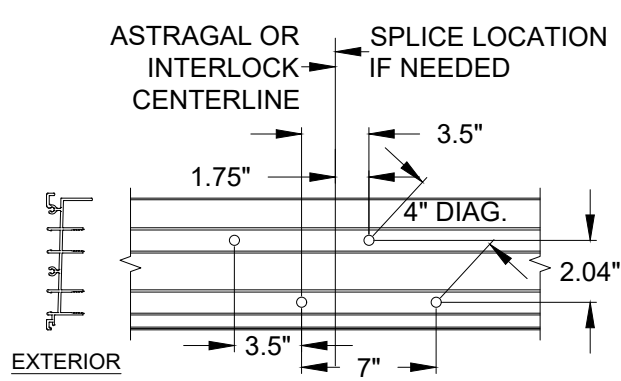
SPLICE NOTE:
NON-STRUCTURAL ANCHORS MAY BE ADDED AS NEEDED TO ALIGN THE HEAD OR SILL IF A SPLICE OCCURS AT THE P-HOOK.



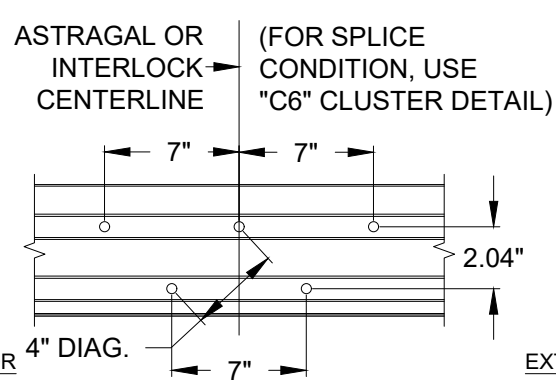
PREPARED BY A. LYNN MILLER 1070 TECHNOLOGY DRIVE N. VENICE, FL 34275 (941) 480-1600	REGISTRATION #29296 COPYRIGHT © 2023 PGT, INC., LIMITED LICENSE TO MAKE COPIES FOR PERMITTING.	Date 12/16/22	By A. MORLESIN	DWG No. 770NSFPA-LM
1070 TECHNOLOGY DRIVE N. VENICE, FL 34275 (941) 480-1600		ALUMINUM NARROW STILE SLIDING GLASS DOOR (LM)	Sheet EXAMPLE SPACING & EXAMPLE	9 OF 24
SGD770NS		Series Desc. Title		



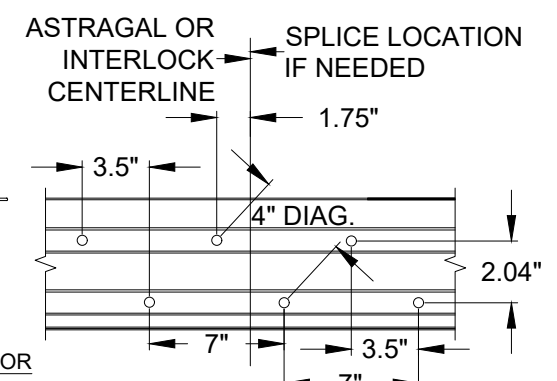
A. LYNN MILLER, P.E.
P.E.# 58705



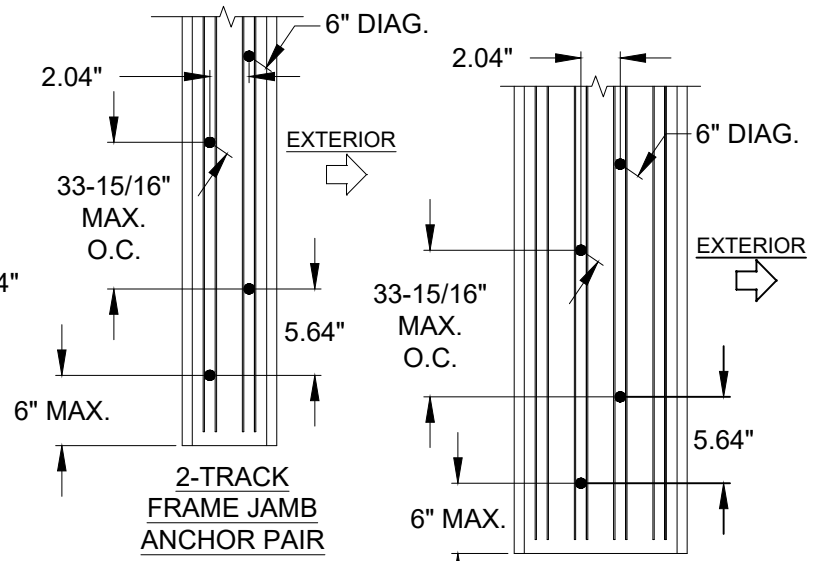
2-TRACK FRAME HEAD/SILL
@ ASTRAGAL OR INTERLOCK
(USE WHERE 4 CLUSTER
ANCHORS ARE REQUIRED, "C4")



2-TRACK FRAME HEAD/SILL
@ ASTRAGAL OR INTERLOCK
(USE WHERE 5 CLUSTER
ANCHORS ARE REQUIRED, "C5")

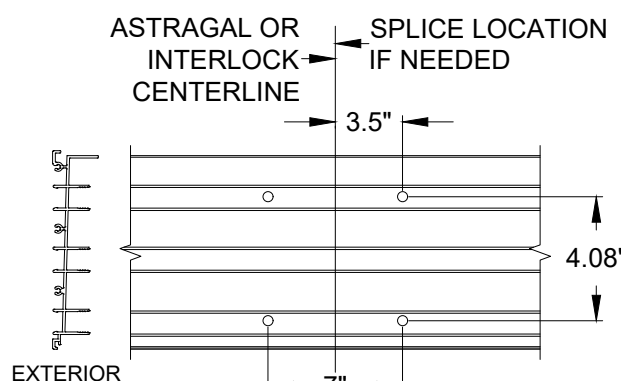


2-TRACK FRAME HEAD/SILL
@ ASTRAGAL OR INTERLOCK
(USE WHERE 6 CLUSTER
ANCHORS ARE REQUIRED, "C6")

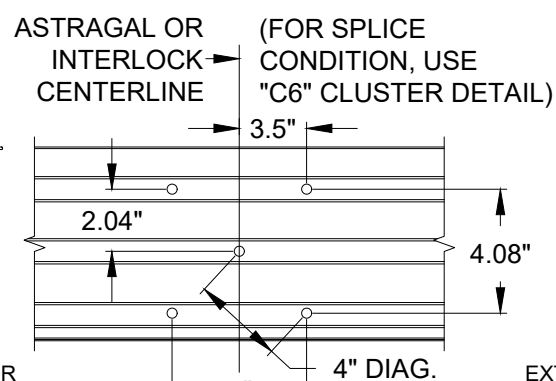


ANCHORS MAY BE INSTALLED
EITHER IN THE EXT. OR INT.
TRACK (INT. SHOWN)

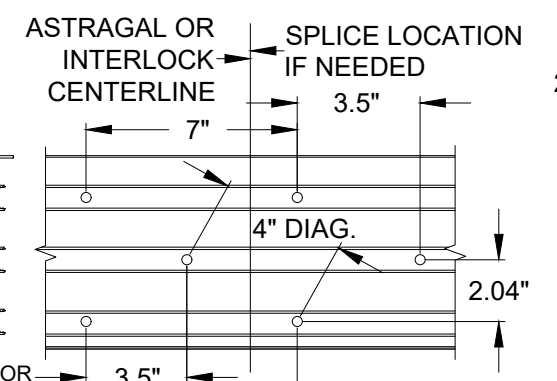
NOTES:
1. ALL DIMENSIONS SHOWN
ARE BASED ON MIN.
ALLOWED.
2. FOR HEAD OR SILL SPLICE
LOCATIONS/ANCHORAGE AT
P-HOOK SEE SHEET 9.



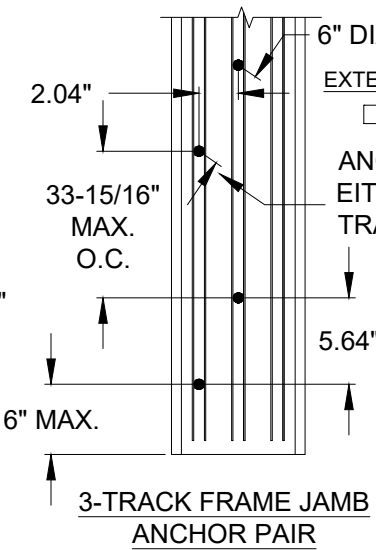
3-TRACK FRAME HEAD/SILL
@ ASTRAGAL OR INTERLOCK
(USE WHERE 4 CLUSTER
ANCHORS ARE REQUIRED, "C4")



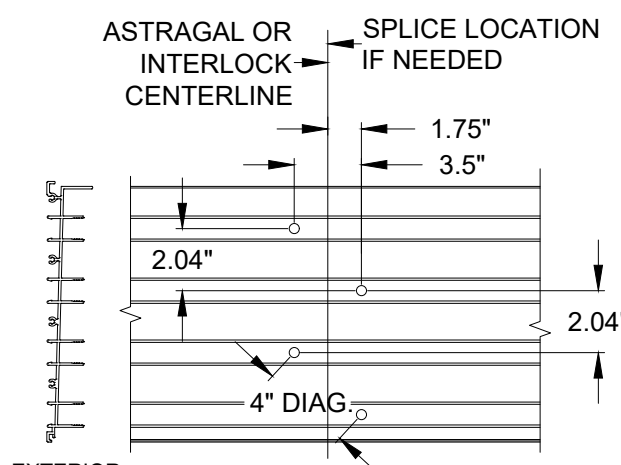
3-TRACK FRAME HEAD/SILL
@ ASTRAGAL OR INTERLOCK
(USE WHERE 5 CLUSTER
ANCHORS ARE REQUIRED, "C5")



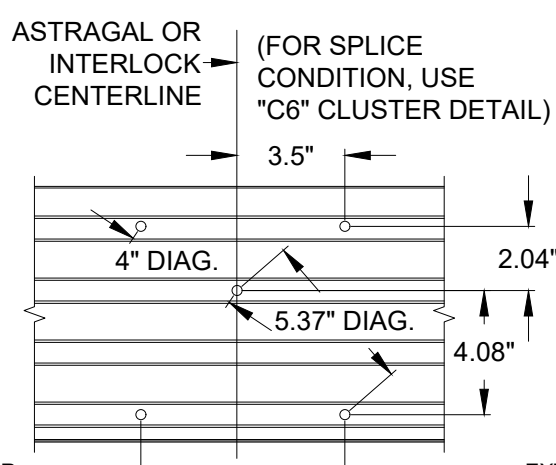
3-TRACK FRAME HEAD/SILL
@ ASTRAGAL OR INTERLOCK
(USE WHERE 6 CLUSTER
ANCHORS ARE REQUIRED, "C6")



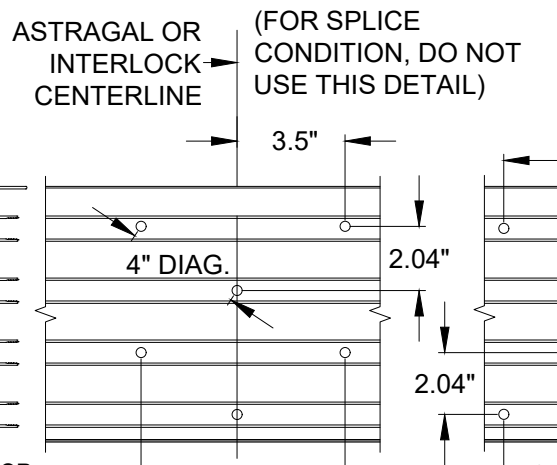
3-TRACK FRAME JAMB
ANCHOR PAIR



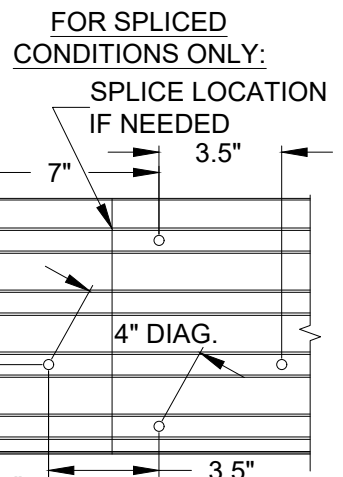
4-TRACK FRAME HEAD/SILL
@ ASTRAGAL OR INTERLOCK
(USE WHERE 4 CLUSTER
ANCHORS ARE REQUIRED, "C4")



4-TRACK FRAME HEAD/SILL
@ ASTRAGAL OR INTERLOCK
(USE WHERE 5 CLUSTER
ANCHORS ARE REQUIRED, "C5")

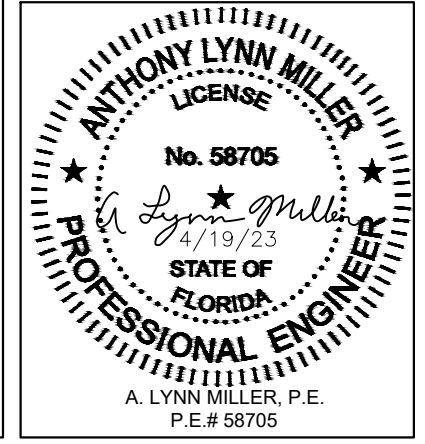


4-TRACK FRAME HEAD/SILL
@ ASTRAGAL OR INTERLOCK
(USE WHERE 6 CLUSTER ANCHORS ARE REQUIRED, "C6")
WITH & WITHOUT SPLICE CONDITION

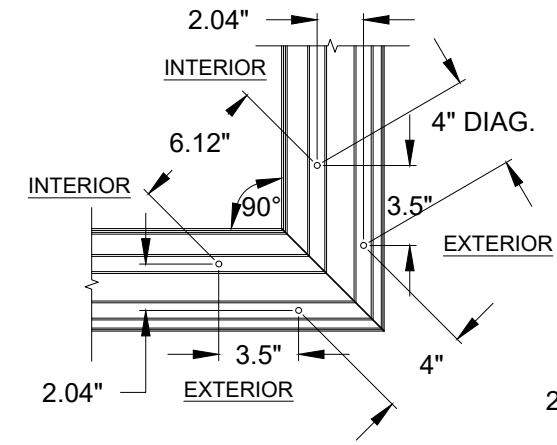


FOR SPLICED
CONDITIONS ONLY:
SPLICE LOCATION
IF NEEDED

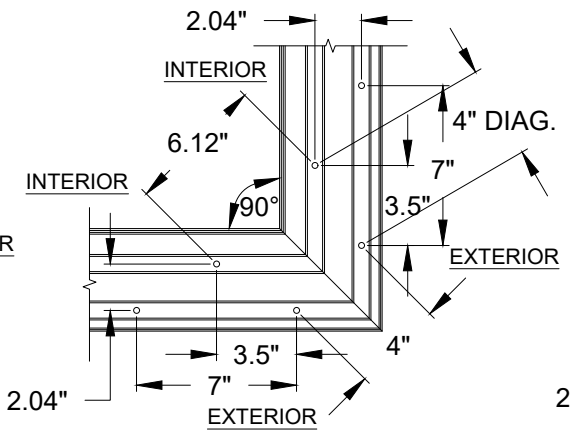
PREPARED BY A. LYNN MILLER 1070 TECHNOLOGY DRIVE N. VENICE, FL 34275 (941) 480-1600	REGISTRATION #29296 COPYRIGHT © 2023 PGT, INC., LIMITED LICENSE TO MAKE COPIES FOR PERMITTING.	Date 12/16/22	Drawn By A. MORLESIN	DWG No. 770NSFPA-LM
	1070 TECHNOLOGY DRIVE N. VENICE, FL 34275 (941) 480-1600	Title ALUMINUM NARROW STILE SLIDING GLASS DOOR (LM)		
			Series SGD770NS	10 OF 24



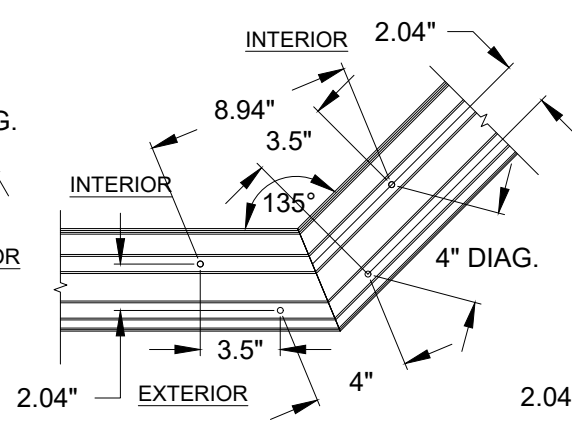
A. LYNN MILLER, P.E.
P.E.# 58705



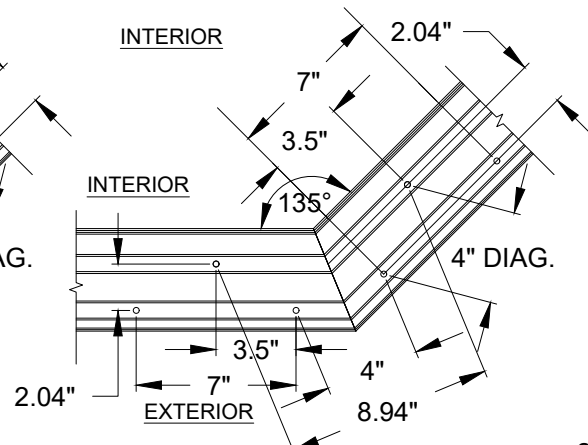
90° CORNER
 2-TRACK FRAME HEAD/SILL
 (USE WHERE 4 CLUSTER
 ANCHORS ARE REQUIRED, "C4")



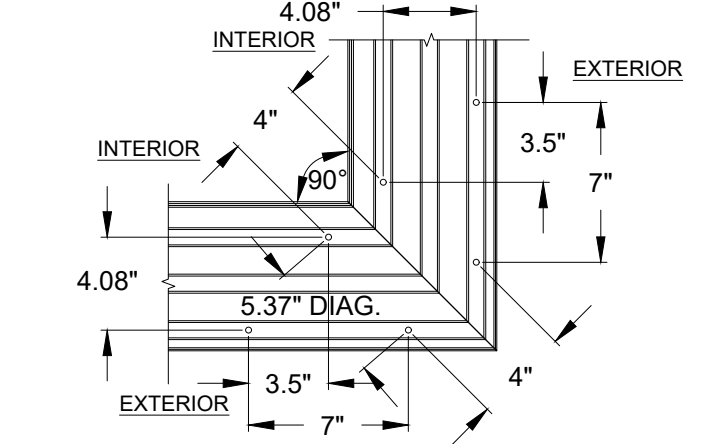
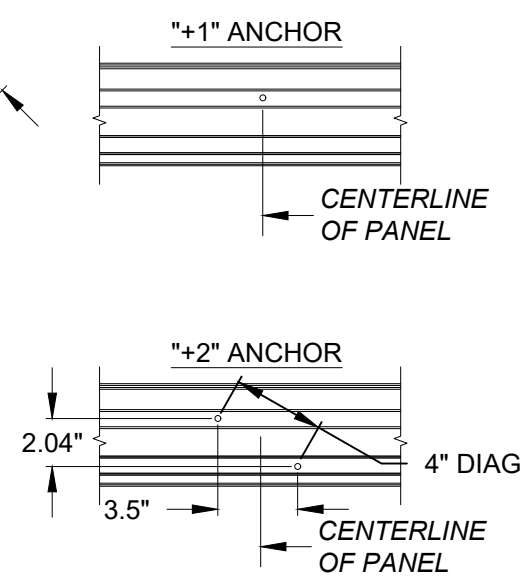
90° CORNER
 2-TRACK FRAME HEAD/SILL
 (USE WHERE 5 OR 6 CLUSTER
 ANCHORS ARE REQUIRED, "C6")



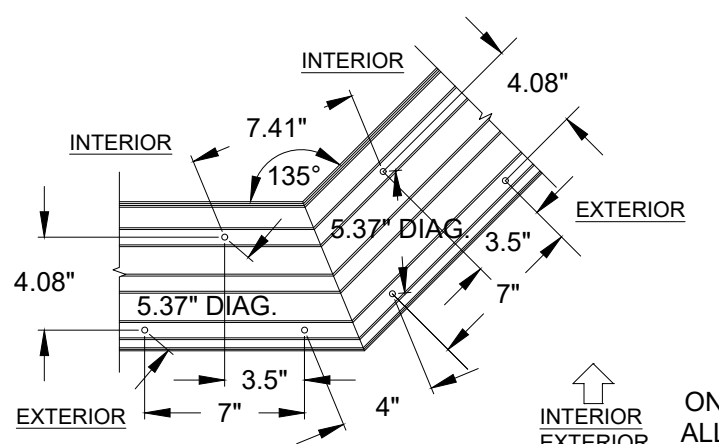
135° CORNER
 2-TRACK FRAME HEAD/SILL
 (USE WHERE 4 CLUSTER
 ANCHORS ARE REQUIRED, "C4")



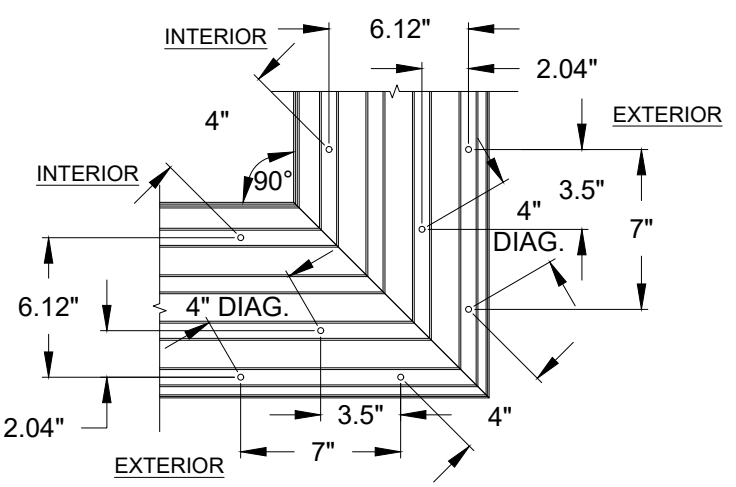
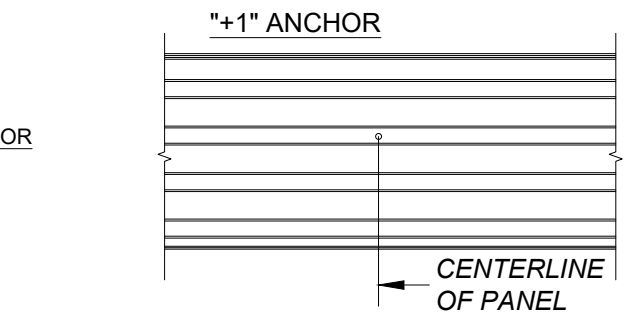
135° CORNER
 2-TRACK FRAME HEAD/SILL
 (USE WHERE 5 OR 6 CLUSTER
 ANCHORS ARE REQUIRED, "C6")



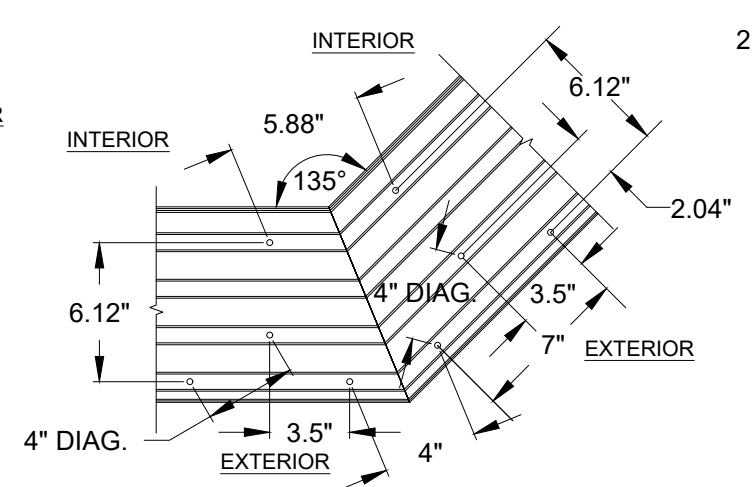
90° CORNER
 3-TRACK FRAME HEAD/SILL
 ("C6" ANCHOR CLUSTER REQUIRED
 AT ALL 3-TRACK CORNERS)



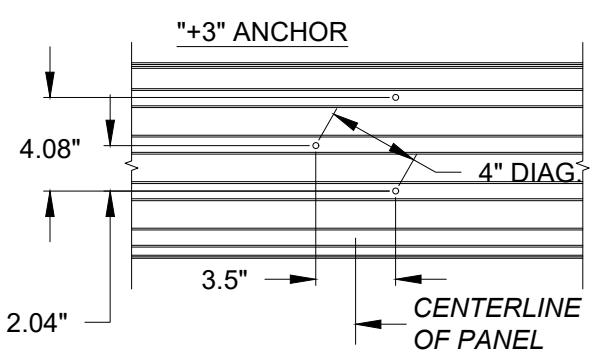
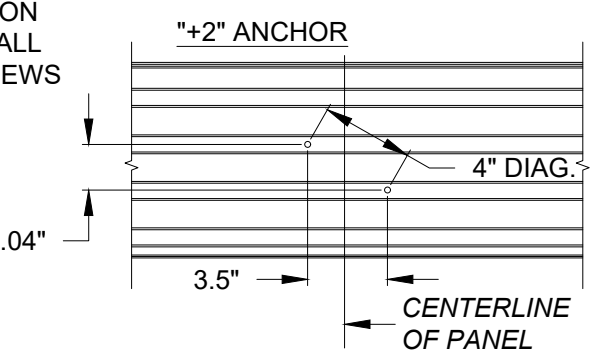
135° CORNER
 3-TRACK FRAME HEAD/SILL
 ("C6" ANCHOR CLUSTER REQUIRED
 AT ALL 3-TRACK CORNERS)



90° CORNER
 4-TRACK FRAME HEAD/SILL
 ("C8" ANCHOR CLUSTER REQUIRED
 AT ALL 4-TRACK CORNERS)



135° CORNER
 4-TRACK FRAME HEAD/SILL
 ("C8" ANCHOR CLUSTER REQUIRED
 AT ALL 4-TRACK CORNERS)

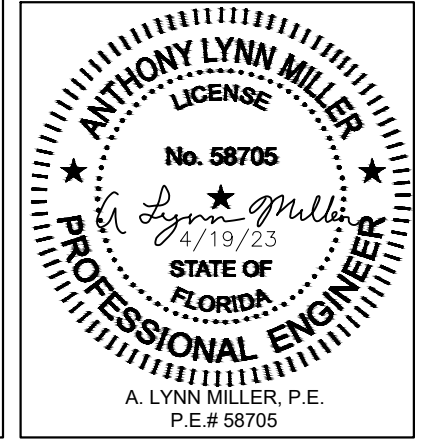


4-TRACK FRAME HEAD/SILL
 INTERMEDIATE ANCHOR LAYOUT
 (3-TRACK SIMILAR)

NOTES:

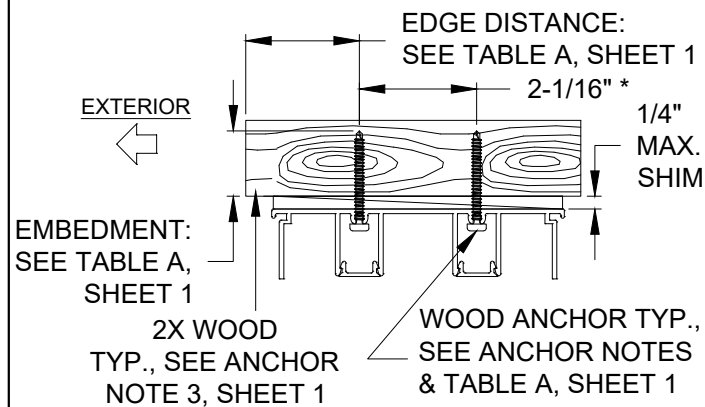
1. ALL DIMENSIONS SHOWN ARE BASED ON MINIMUM ALLOWED.
2. DETAILS DEPICT ANCHOR QUANTITY AND SPACING, AND WOULD BE IDENTICAL FOR EXTERIOR OR INTERIOR CORNER CONFIGURATIONS.

PREPARED BY A. LYNN MILLER 1070 TECHNOLOGY DRIVE N. VENICE, FL 34275 (941) 480-1600	REGISTRATION #29296 COPYRIGHT © 2023 PGT, INC., LIMITED LICENSE TO MAKE COPIES FOR PERMITTING.	Date 12/16/22
	ALUMINUM NARROW STILE SLIDING GLASS DOOR (LM)	Drawn By A. MORLESIN
	ANCHORAGE - CLUSTERS	DWG No. 11 OF 24 Sheet SGD770NS Series Desc. Title 770NSFPA-LM

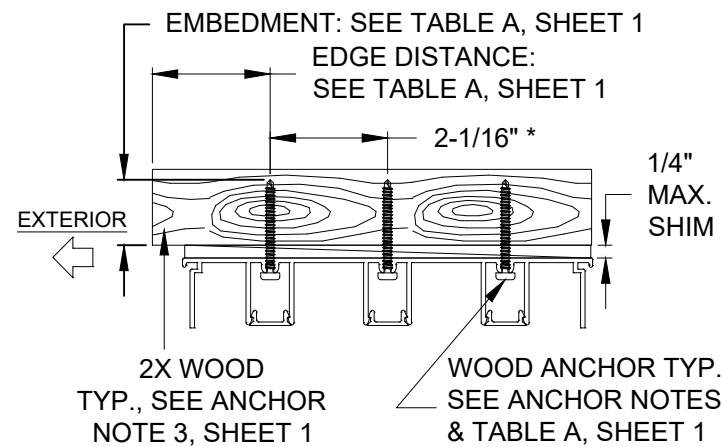


A. LYNN MILLER, P.E.
 P.E.# 58705

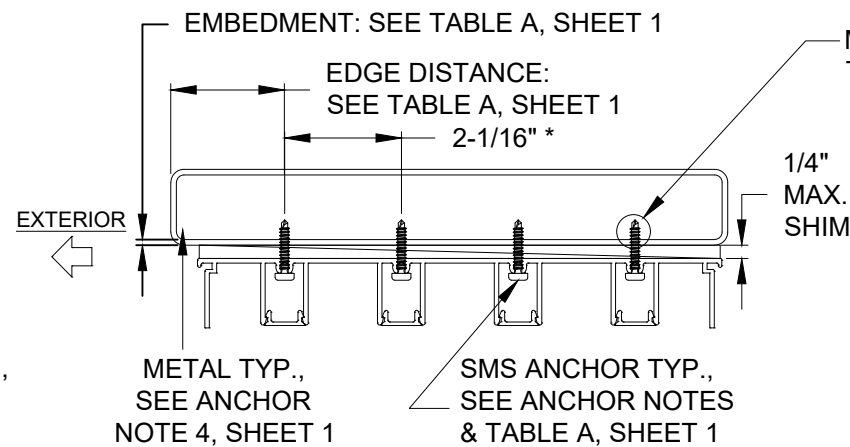
INSTALLATION DETAILS



DET Aw 2-TRACK FRAME HEAD WOOD INSTALLATION



DET Bw 3-TRACK FRAME HEAD WOOD INSTALLATION

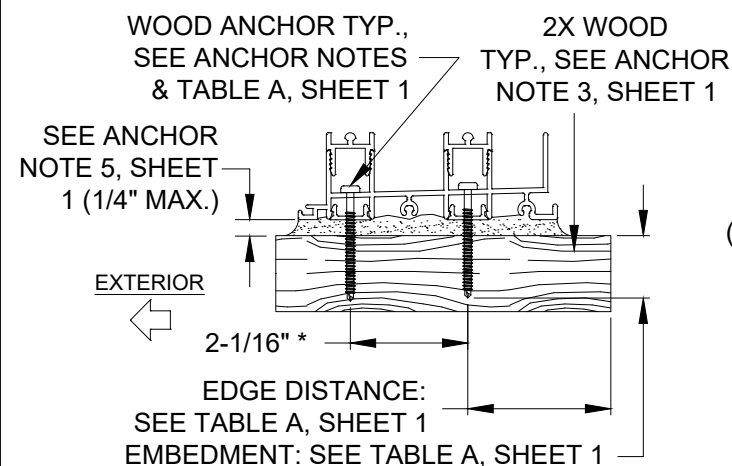


DET Cw 4-TRACK FRAME HEAD METAL INSTALLATION

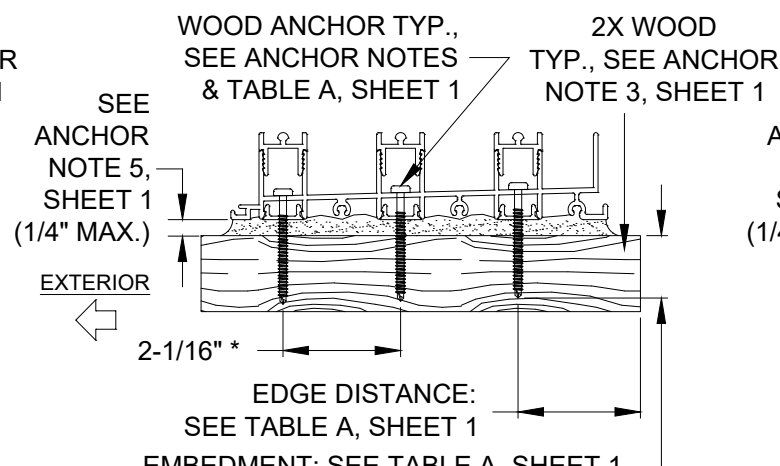
MIN. OF 3 THREADS BEYOND THE METAL SUBSTRATE

NOTES:
 1. ALL DIMENSIONS SHOWN ARE BASED ON MIN. ALLOWED.
 2. METAL OR WOOD SUBSTRATES MAY BE USED FOR ALL FRAME TYPES PER TABLE A, SHEET 1.

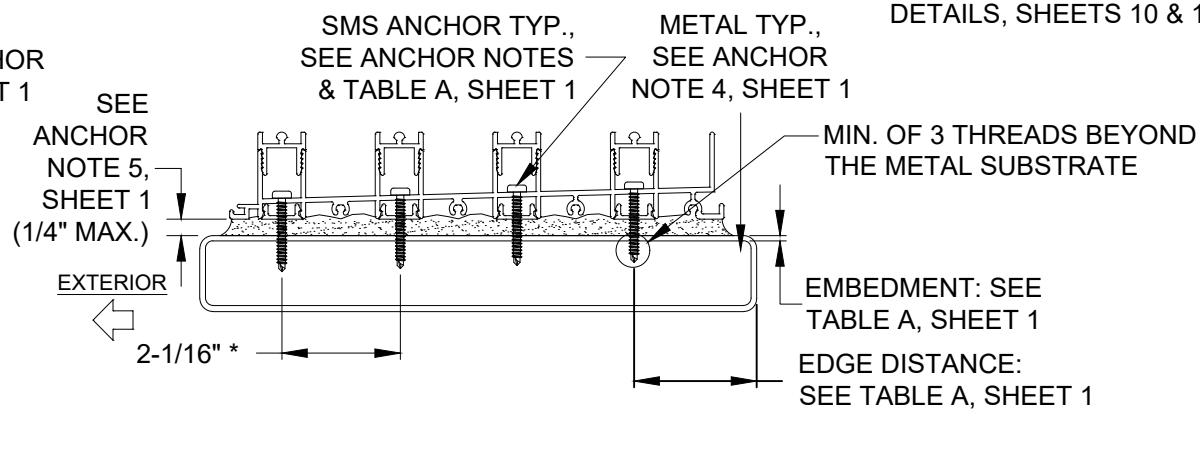
* DIAGONAL O.C. IS MIN 4" (HEAD & SILL) OR 6" (JAMB) SEE DETAILS, SHEETS 10 & 11.



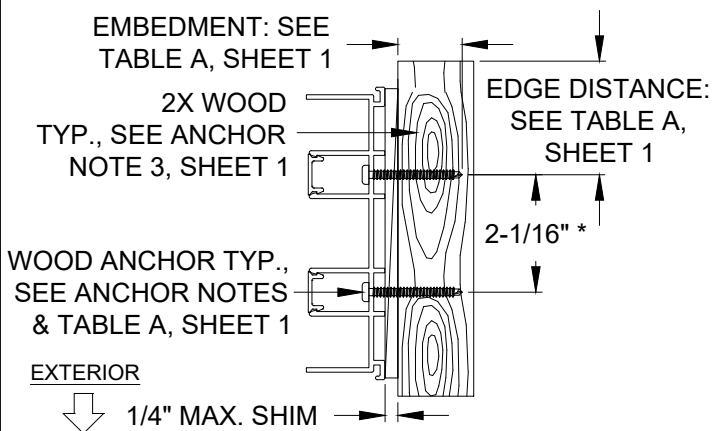
DET Dw 2-TRACK FRAME SILL WOOD INSTALLATION



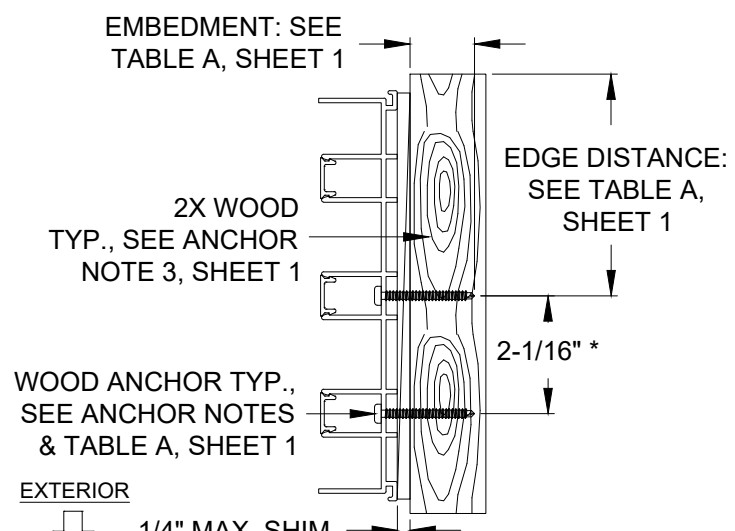
DET Ew 3-TRACK FRAME SILL WOOD INSTALLATION



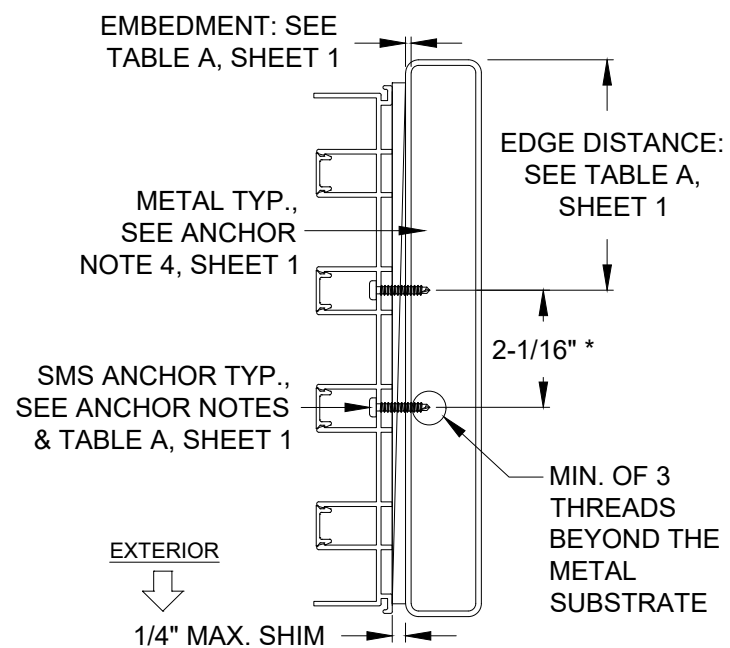
DET Fw 4-TRACK FRAME SILL METAL INSTALLATION



DET Gw 2-TRACK FRAME JAMB WOOD INSTALLATION



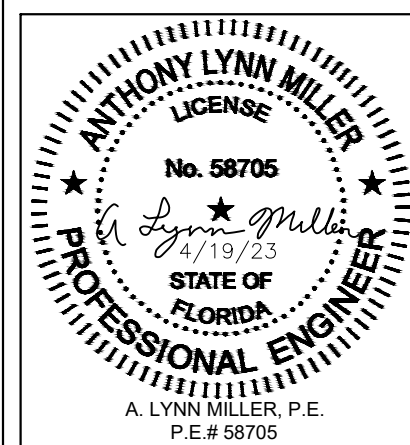
DET Hw 3-TRACK FRAME JAMB WOOD INSTALLATION



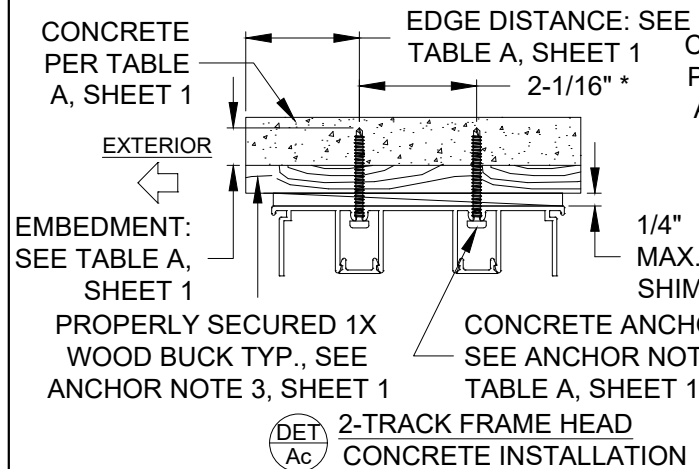
DET Iw 4-TRACK FRAME JAMB METAL INSTALLATION

Rev. # 3/28/23
 Date
 UPDATE TABLE 4, 6'X10' DOOR SIZE
 Rev.

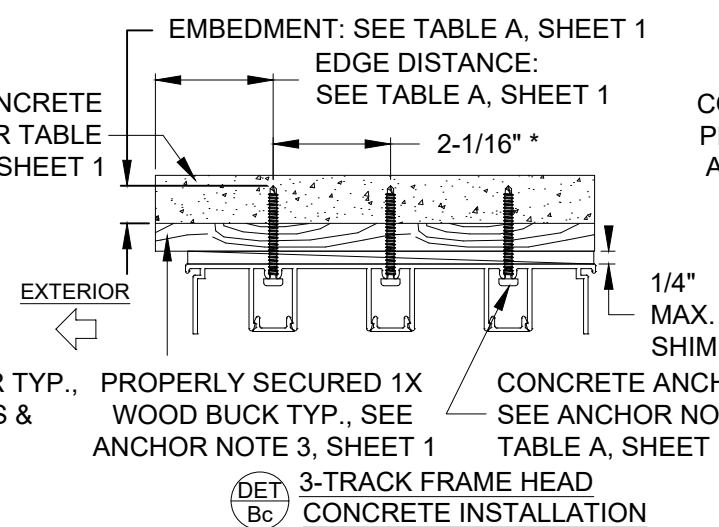
PREPARED BY A. LYNN MILLER 1070 TECHNOLOGY DRIVE N. VENICE, FL 34275 (941) 480-1600	REGISTRATION #29296 COPYRIGHT © 2023 PGT, INC., LIMITED LICENSE TO MAKE COPIES FOR PERMITTING.	Date 12/16/22	Drawn By A. MORLESIN	DWG No. 770NSFPA-LM
	1070 TECHNOLOGY DRIVE N. VENICE, FL 34275 (941) 480-1600	ALUMINUM NARROW STILE SLIDING GLASS DOOR (LM)	Sheet 12 OF 24	Series ANCHORAGE DETAILS



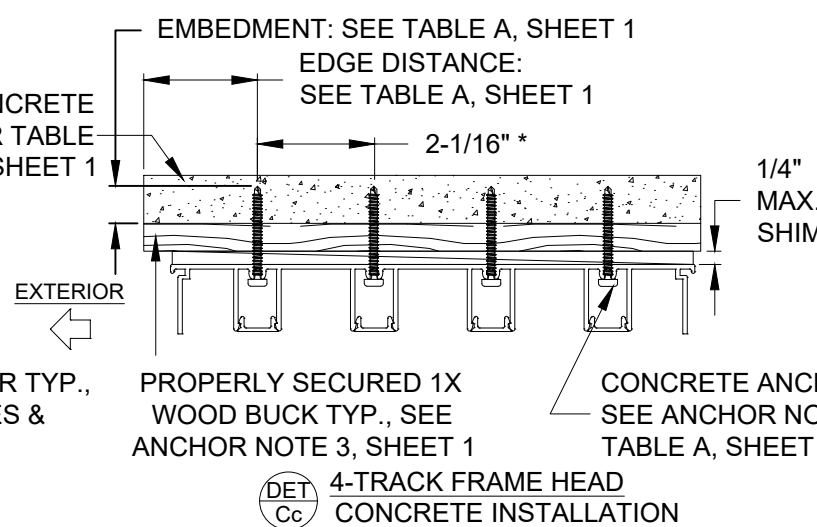
INSTALLATION DETAILS



DET Ac 2-TRACK FRAME HEAD CONCRETE INSTALLATION

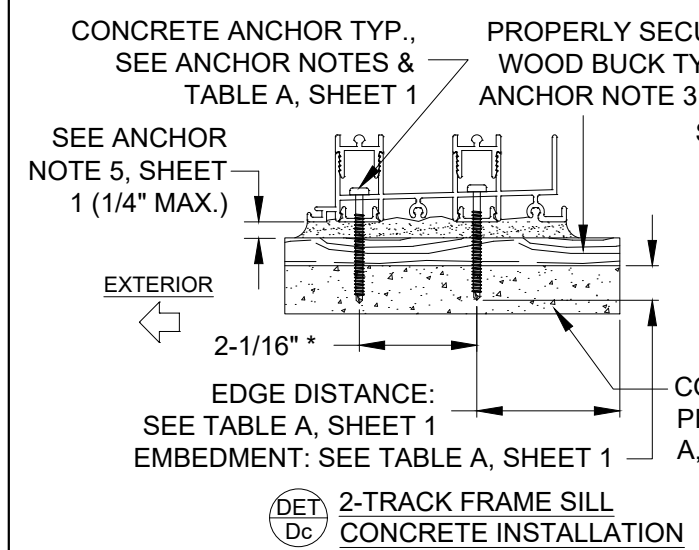


DET Bc 3-TRACK FRAME HEAD CONCRETE INSTALLATION

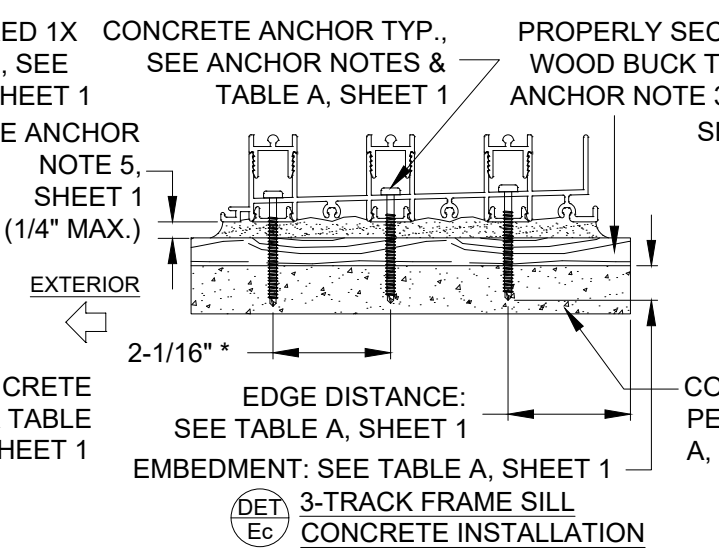


DET Cc 4-TRACK FRAME HEAD CONCRETE INSTALLATION

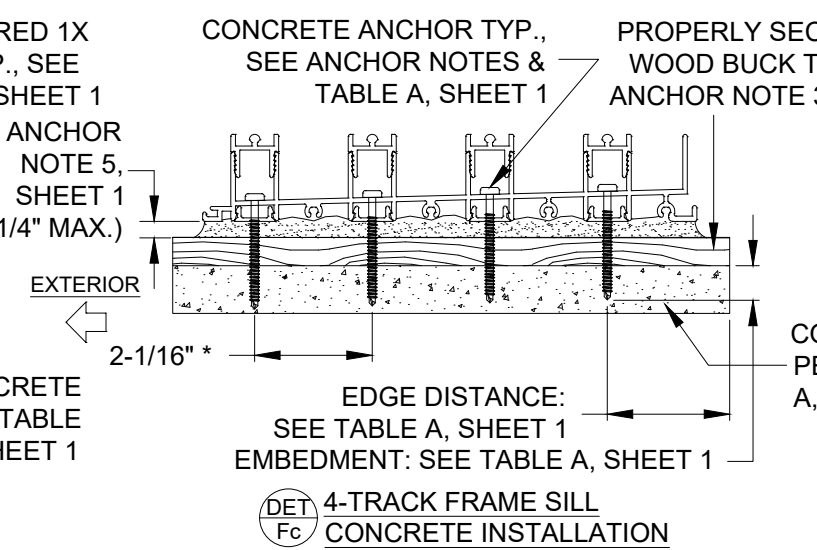
NOTES:
 1. ALL DIMENSIONS SHOWN ARE BASED ON MIN. ALLOWED.
 * DIAGONAL O.C. IS MIN 4" (HEAD & SILL) OR 6" (JAMB) SEE DETAILS, SHEETS 10 & 11.



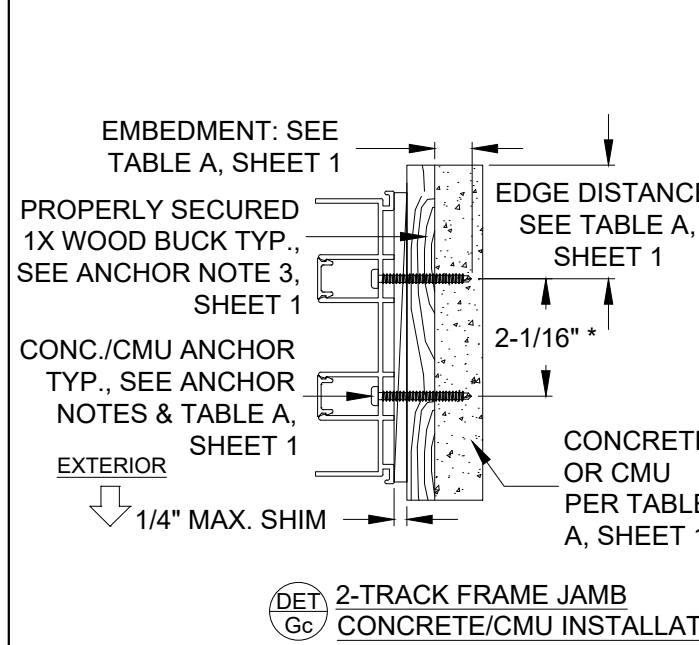
DET Dc 2-TRACK FRAME SILL CONCRETE INSTALLATION



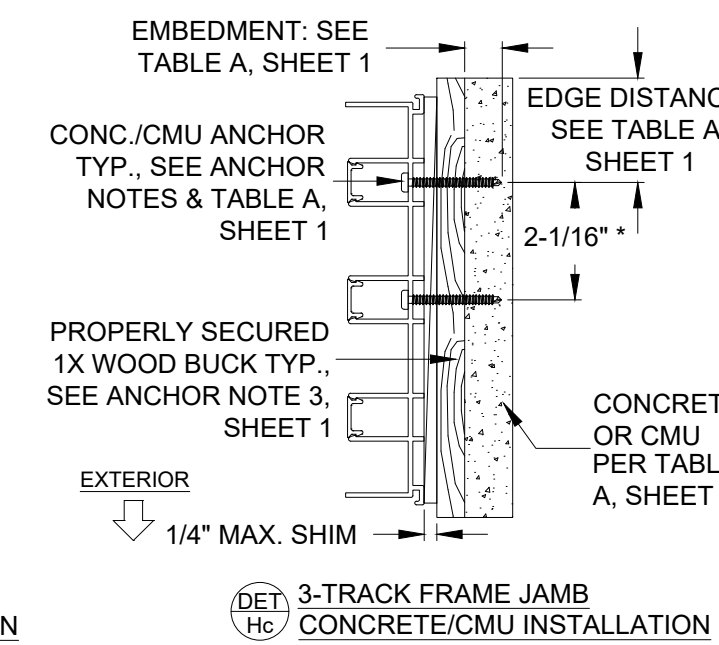
DET Ec 3-TRACK FRAME SILL CONCRETE INSTALLATION



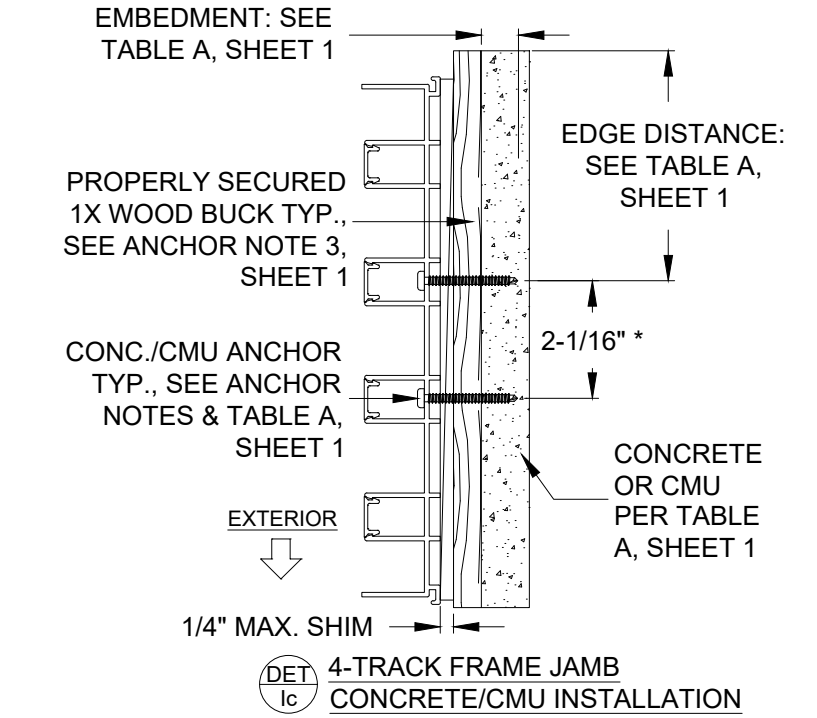
DET Fc 4-TRACK FRAME SILL CONCRETE INSTALLATION



DET Gc 2-TRACK FRAME JAMB CONCRETE/CMU INSTALLATION



DET Hc 3-TRACK FRAME JAMB CONCRETE/CMU INSTALLATION

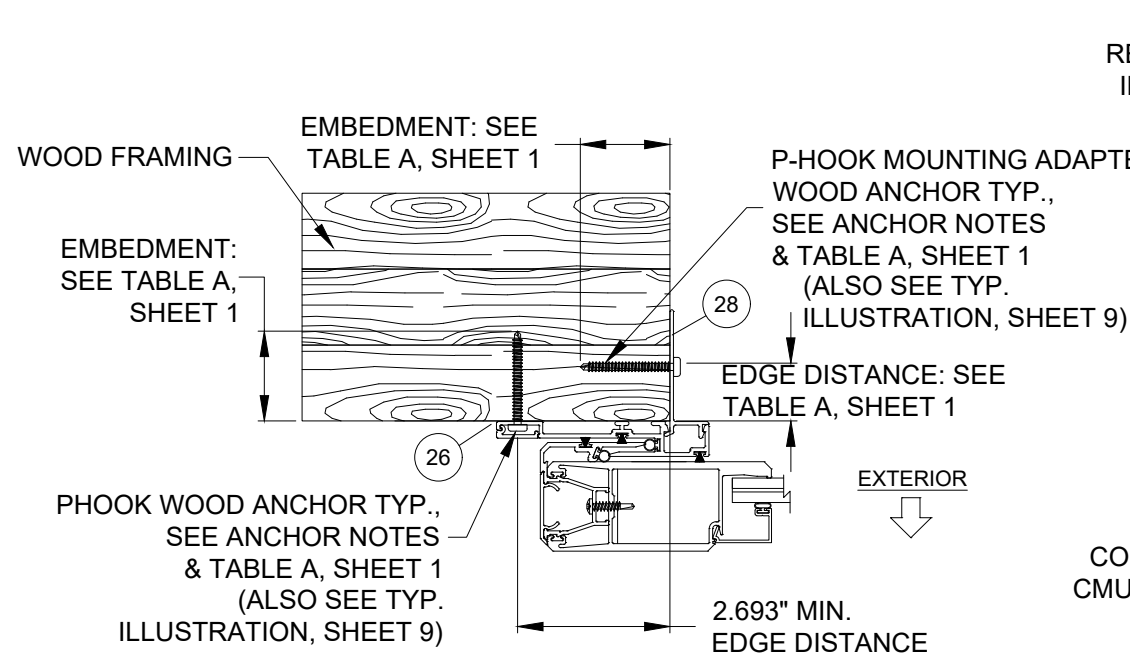


DET Ic 4-TRACK FRAME JAMB CONCRETE/CMU INSTALLATION

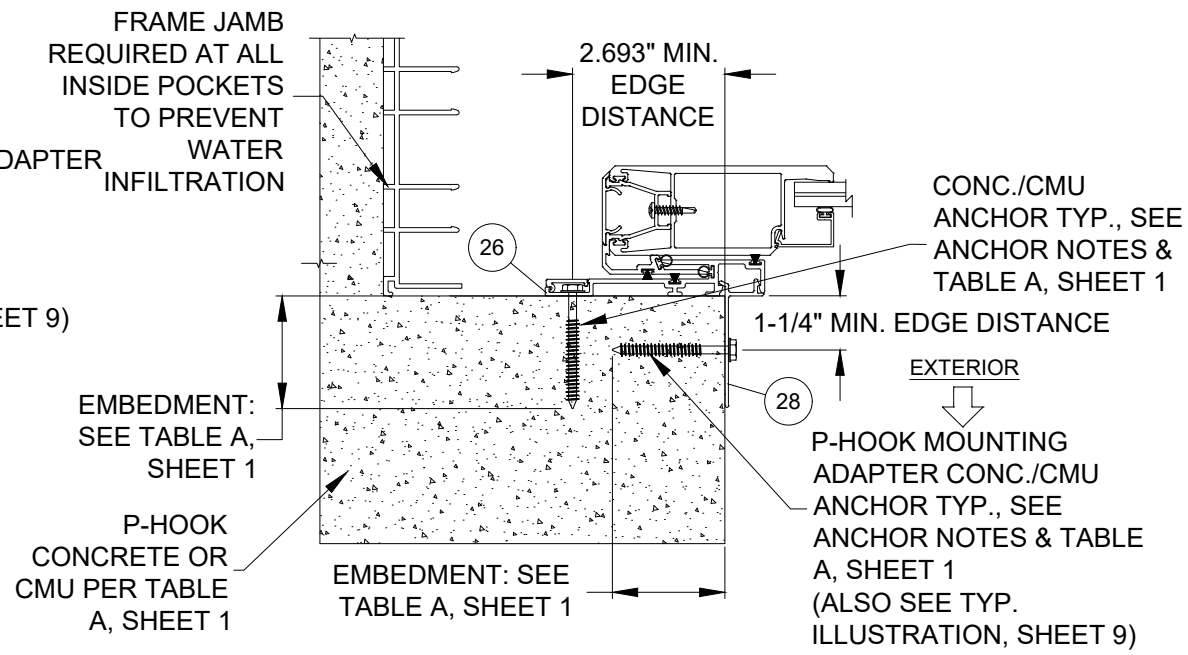
Rev. # 3/28/23
 Date
 Update TABLE 4, 6'X10' DOOR SIZE

PREPARED BY A. LYNN MILLER 1070 TECHNOLOGY DRIVE N. VENICE, FL 34275 (941) 480-1600	REGISTRATION #29296 COPYRIGHT © 2023 PGT, INC., LIMITED LICENSE TO MAKE COPIES FOR PERMITTING.	Date 12/16/22
	Drawn By A. MORLESIN	No. 770NSFPA-LM
1070 TECHNOLOGY DRIVE N. VENICE, FL 34275 (941) 480-1600		Desc. Title ALUMINUM NARROW STILE SLIDING GLASS DOOR (LM)
ANCHORAGE DETAILS		Sheet 13 OF 24
SGD770NS		Series 770NSFPA-LM

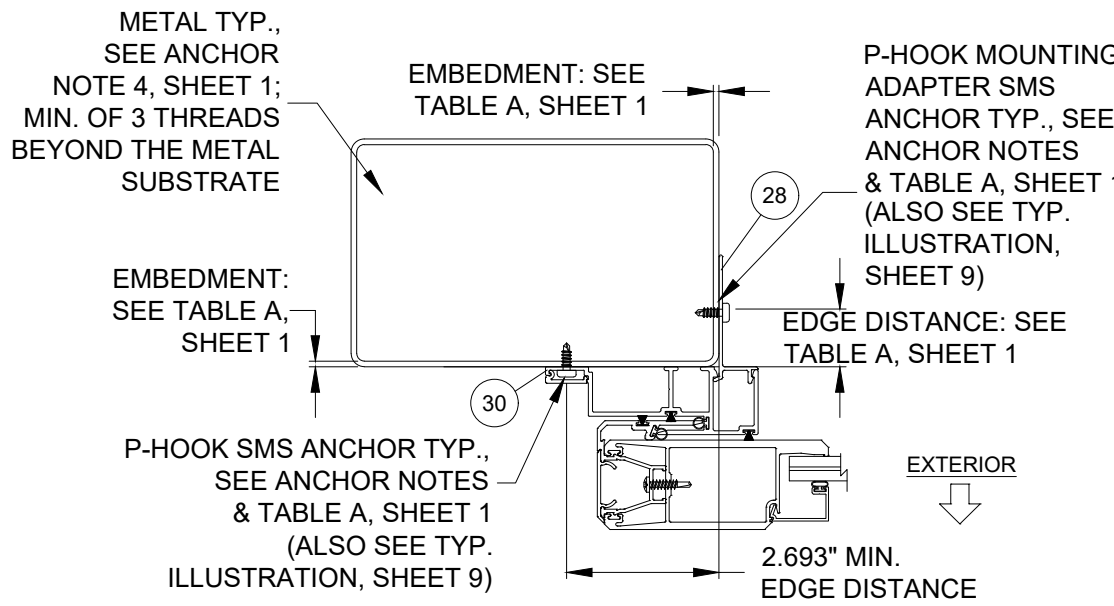
INSTALLATION DETAILS



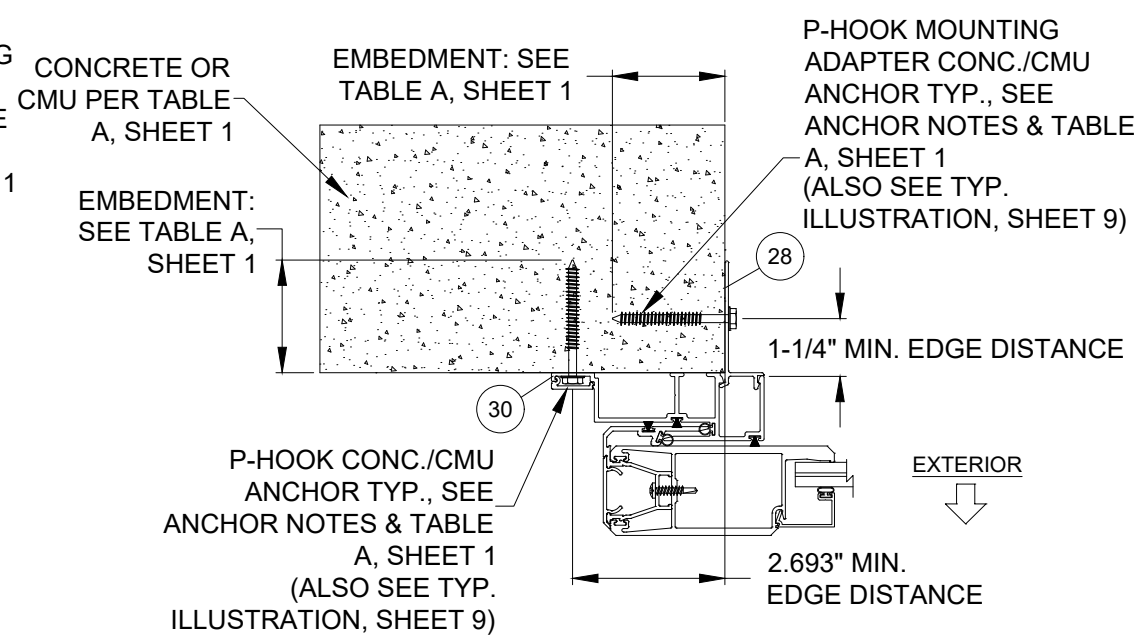
DET Jw P-HOOK FOR USE WITH FLAT SILL RISERS
 PARTS #18, #20, #22 OR #24,
 WOOD INSTALLATION
 (SEE TABLES 1A, 2A & 3A
 FOR WATER RATINGS) EXTERIOR MOUNT SHOWN,
 MAY ALSO BE INSTALLED IN
 INTERIOR CONDITION



DET Jc P-HOOK FOR USE WITH ANY SILL RISER
 PARTS #18, #20, #22 OR #24,
 CONCRETE/CMU INSTALLATION
 (SEE TABLES 1A, 2A & 3A
 FOR WATER RATINGS) INTERIOR MOUNT SHOWN,
 MAY ALSO BE INSTALLED IN
 EXTERIOR CONDITION



DET Kw P-HOOK FOR USE WITH BOX SILL RISERS
 PARTS #19, #21, #23 OR #25,
 METAL INSTALLATION
 (SEE TABLES 1A, 2A & 3A
 FOR WATER RATINGS) EXTERIOR
 MOUNT
 ONLY



DET Kc P-HOOK FOR USE WITH BOX SILL RISERS
 PARTS #19, #21, #23 OR #25,
 CONCRETE INSTALLATION
 (SEE TABLES 1A, 2A & 3A
 FOR WATER RATINGS) EXTERIOR
 MOUNT
 ONLY

NOTES:
 1. ALL DIMENSIONS SHOWN ARE BASED ON MIN. ALLOWED.
 2. FIGURES ON THIS SHEET ARE FOR ILLUSTRATIVE PURPOSES ONLY. SEE TABLE A, SHEET 1 FOR ALL APPROVED SUBSTRATES.
 3. SEE TABES 1-3, SHEETS 6-8 FOR REQUIRED P-HOOK AND P-HOOK MOUNTING ADAPTER ANCHOR QUANTITIES. ALSO SEE EXAMPLE ON SHEET 9.

Rev. # 3/28/23
 Date
 Update TABLE 4, 6X10' DOOR SIZE

METAL TYP., SEE ANCHOR NOTE 4, SHEET 1; MIN. OF 3 THREADS BEYOND THE METAL SUBSTRATE

EMBEDMENT: SEE TABLE A, SHEET 1

P-HOOK MOUNTING ADAPTER SMS ANCHOR TYP., SEE ANCHOR NOTES & TABLE A, SHEET 1 (ALSO SEE TYP. ILLUSTRATION, SHEET 9)

CONCRETE OR CMU PER TABLE A, SHEET 1

EMBEDMENT: SEE TABLE A, SHEET 1

P-HOOK MOUNTING ADAPTER CONC./CMU ANCHOR TYP., SEE ANCHOR NOTES & TABLE A, SHEET 1 (ALSO SEE TYP. ILLUSTRATION, SHEET 9)

EMBEDMENT: SEE TABLE A, SHEET 1

EDGE DISTANCE: SEE TABLE A, SHEET 1

EMBEDMENT: SEE TABLE A, SHEET 1

1-1/4" MIN. EDGE DISTANCE

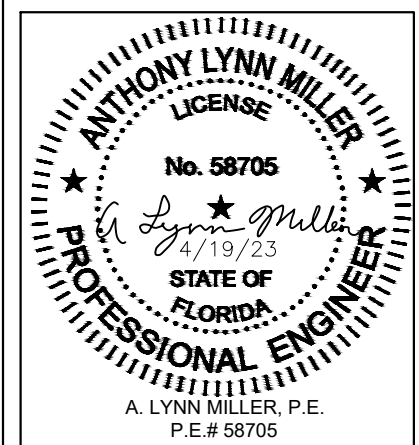
P-HOOK SMS ANCHOR TYP., SEE ANCHOR NOTES & TABLE A, SHEET 1 (ALSO SEE TYP. ILLUSTRATION, SHEET 9)

2.693" MIN. EDGE DISTANCE

P-HOOK CONC./CMU ANCHOR TYP., SEE ANCHOR NOTES & TABLE A, SHEET 1 (ALSO SEE TYP. ILLUSTRATION, SHEET 9)

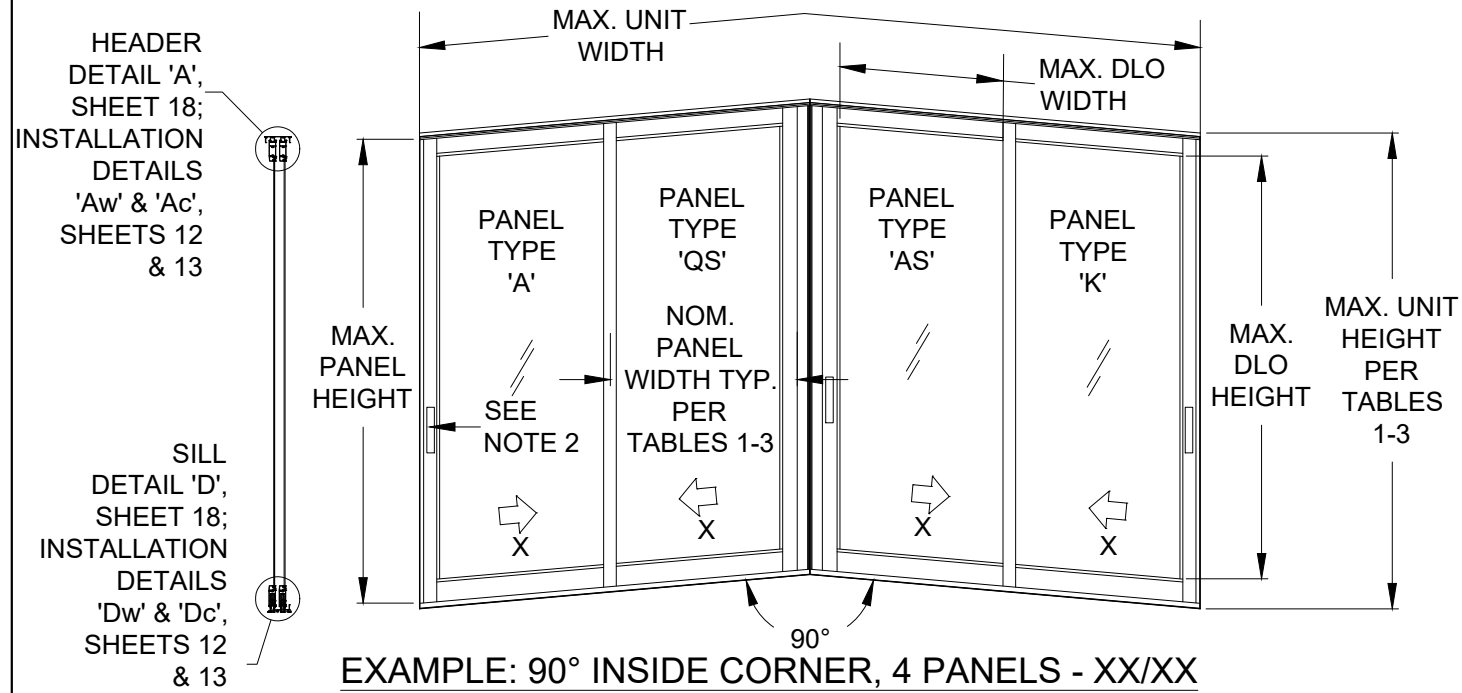
2.693" MIN. EDGE DISTANCE

PREPARED BY A. LYNN MILLER 1070 TECHNOLOGY DRIVE N. VENICE, FL 34275 (941) 480-1600	REGISTRATION #29296 COPYRIGHT © 2023 PGT, INC., LIMITED LICENSE TO MAKE COPIES FOR PERMITTING.	Date 12/16/22	Drawn By A. MORLESIN	No. 770NSFPA-LM
	1070 TECHNOLOGY DRIVE N. VENICE, FL 34275 (941) 480-1600		Desc. ALUMINUM NARROW STILE SLIDING GLASS DOOR (LM)	DWG No. 14 OF 24
Sheet SGD770NS		Title ANCHORAGE DETAILS		



A. LYNN MILLER, P.E.
 P.E.# 58705

CONFIG. EXAMPLES



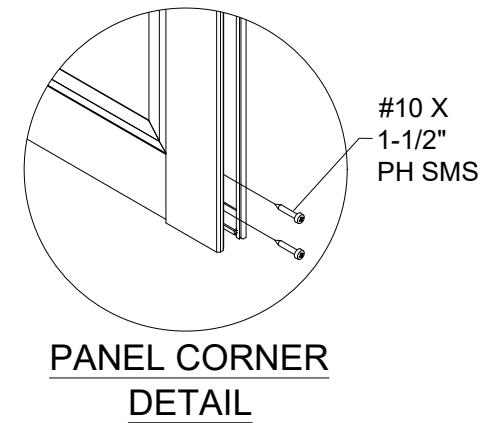
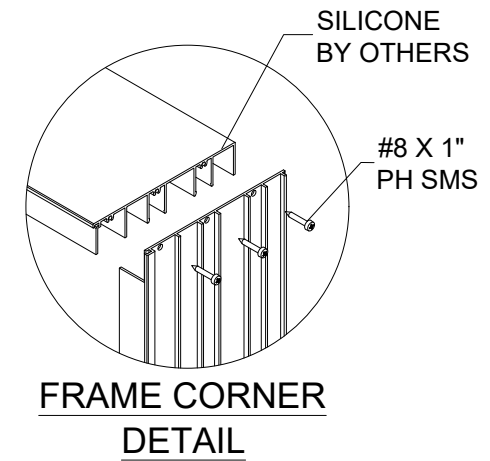
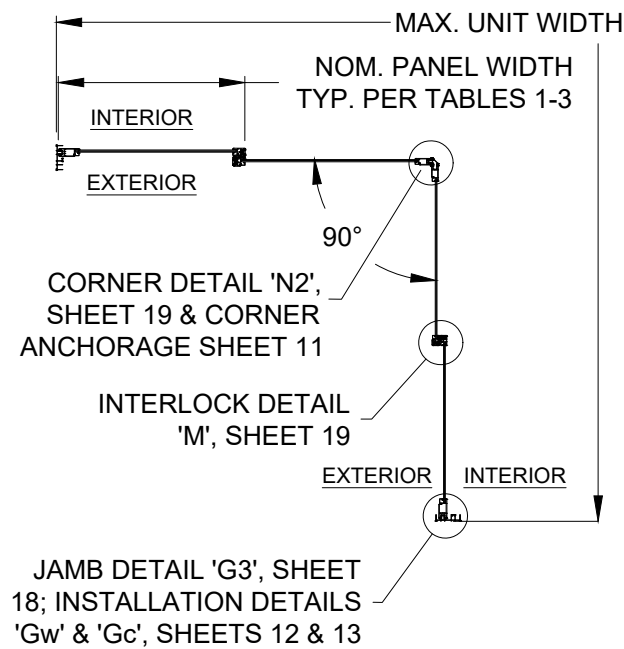
HEADER
DETAIL 'A',
SHEET 18;
INSTALLATION
DETAILS
'Aw' & 'Ac',
SHEETS 12
& 13

SILL
DETAIL 'D',
SHEET 18;
INSTALLATION
DETAILS
'Dw' & 'Dc',
SHEETS 12
& 13

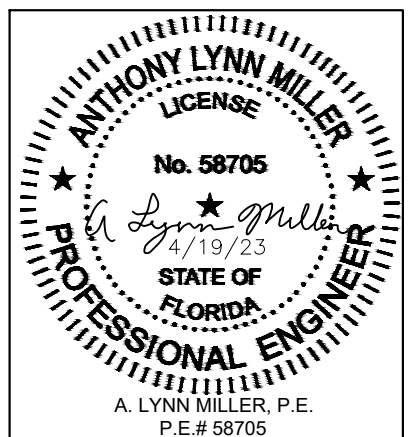
NOTES:

- 1) SEE SHEET 17 FOR INDIVIDUAL PANEL CONFIGURATIONS AS APPLICABLE. SEE DP/ANCHOR TABLES, SHEETS 6-8 FOR MAX. PANEL HEIGHT AND WIDTH. SEE SHEETS 18 & 19 FOR SECTION DETAILS AND SHEETS 12-14 FOR INSTALLATION DETAILS.
- 2) (1) LOCK (ITEMS 75 & 107-110) AT EACH LOCKSTILE, LOCKING INTO KEEPER (ITEM 103) AT FRAME JAMB OR ASTRAGAL.
- 3) PLEASE SEE APPLICABLE REINFORCEMENT PER DP/ANCHOR TABLES.

GLASS WIDTH = NOMINAL PANEL WIDTH - 3.25"
 DLO WIDTH = NOM. PANEL WIDTH - 4.75"
 DLO HEIGHT = DOOR UNIT HEIGHT - 10.125"
 PANEL HEIGHT = DOOR UNIT HEIGHT - 1.866"



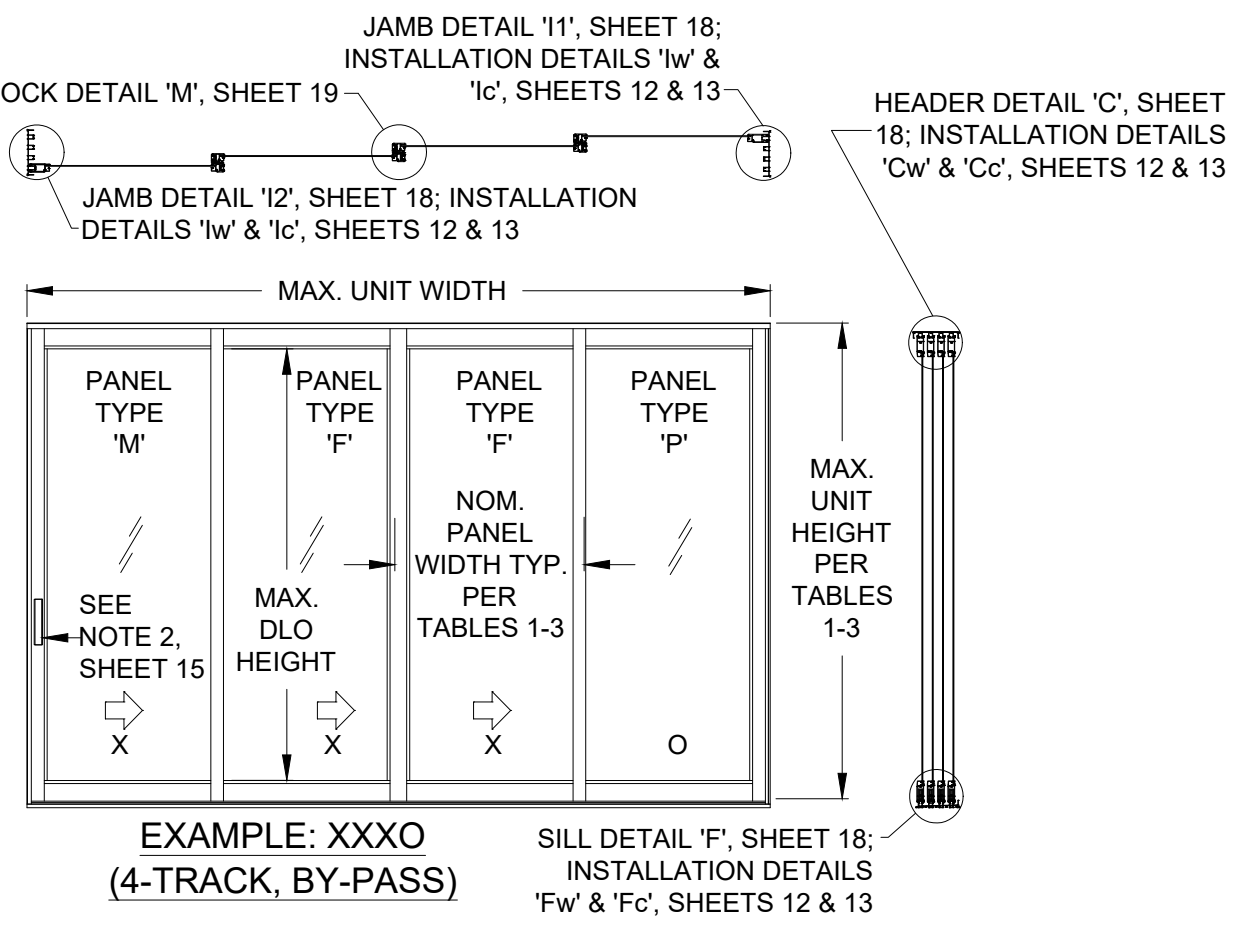
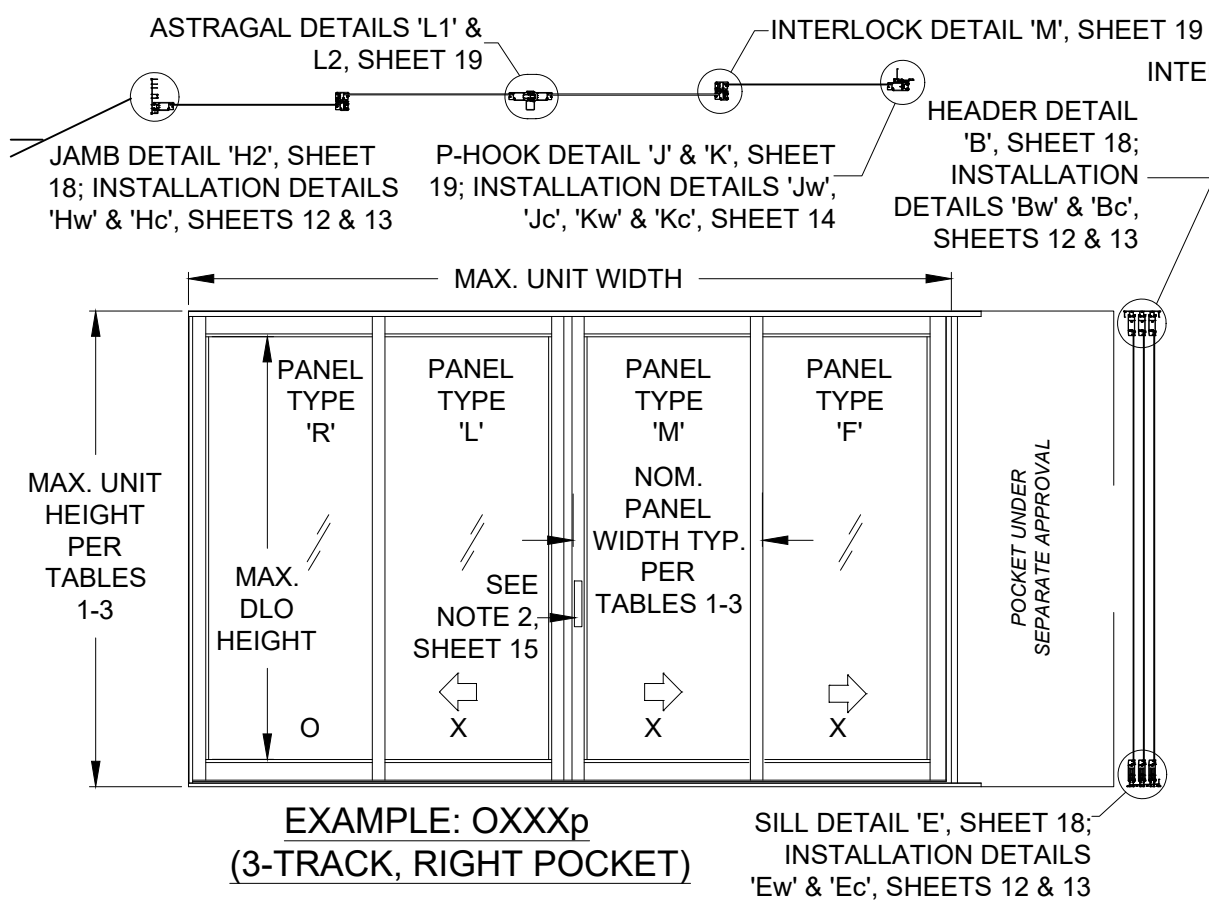
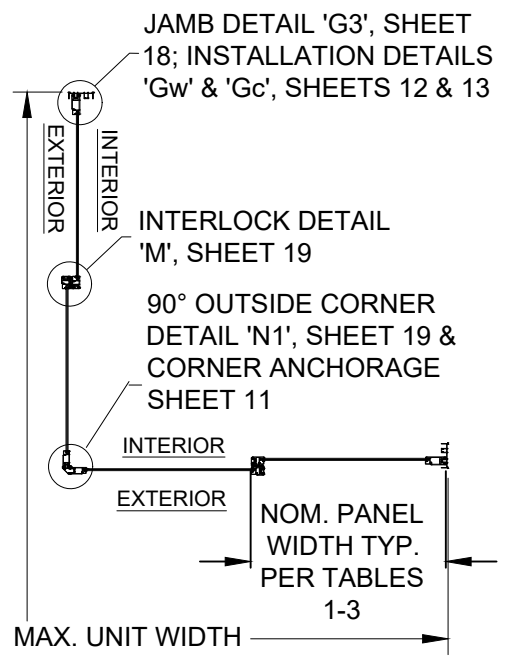
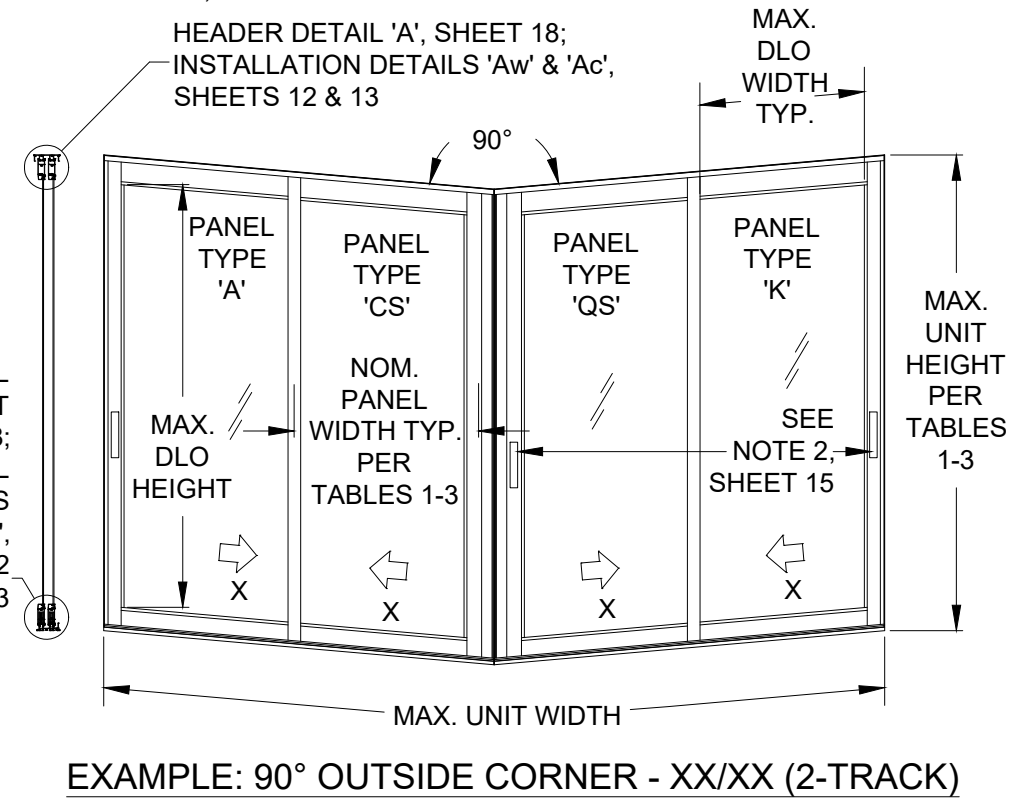
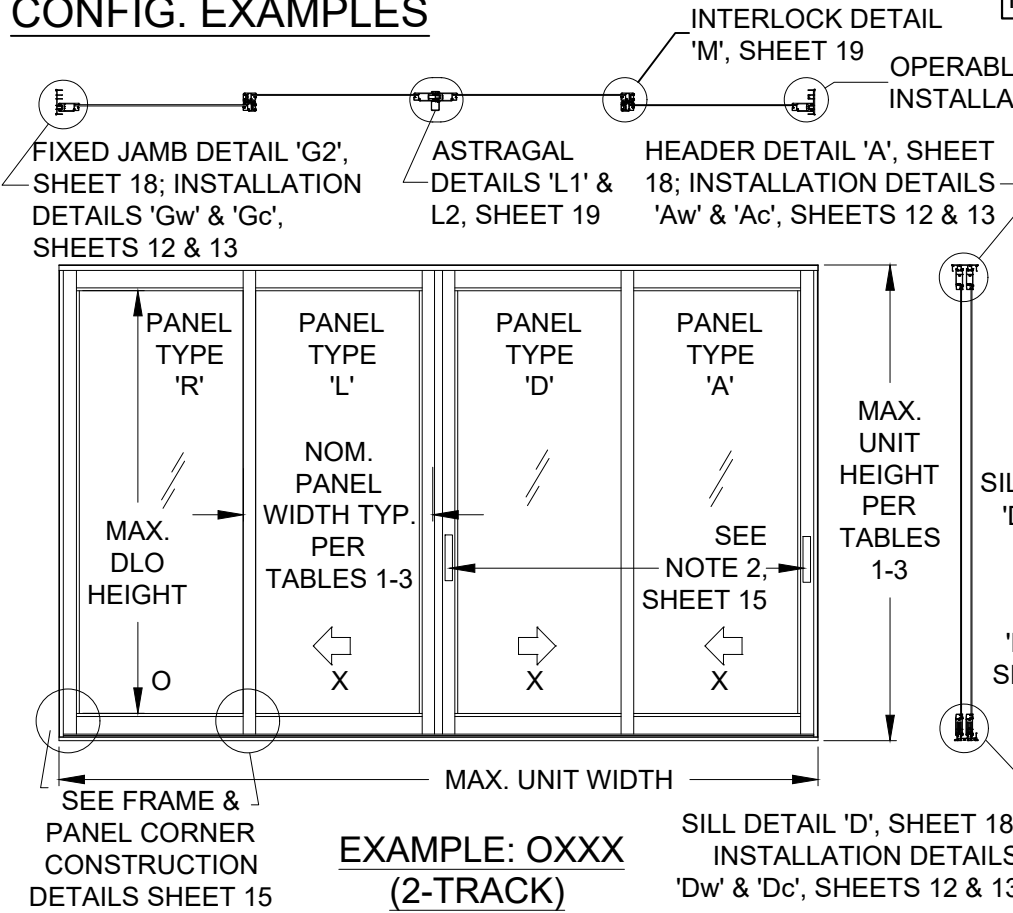
PREPARED BY A. LYNN MILLER 1070 TECHNOLOGY DRIVE N. VENICE, FL 34275 (941) 480-1600	REGISTRATION #29296 COPYRIGHT © 2023 PGT, INC., LIMITED LICENSE TO MAKE COPIES FOR PERMITTING.	Date	12/16/22
		By	A. MORLESIN
ALUMINUM NARROW STILE SLIDING GLASS DOOR (LM)		No.	770NSFPA-LM
EXAMPLE ELEVATION		Sheet	15 OF 24
SGD770NS		Series	Desc. Title



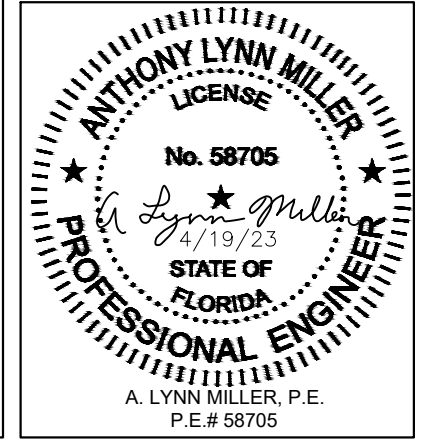
Rev. # 3/28/23
 Date
 UPDATE TABLE 4, 6'X10' DOOR SIZE
 Rev. C

CONFIG. EXAMPLES

FOR ALL DETAILS ON THIS SHEET, SEE NOTES ON SHEET 15



PREPARED BY A. LYNN MILLER 1070 TECHNOLOGY DRIVE N. VENICE, FL 34275 (941) 480-1600	REGISTRATION #29296 COPYRIGHT © 2023 PGT, INC., LIMITED LICENSE TO MAKE COPIES FOR PERMITTING.	Date: 12/16/22	Drawn By: A. MORLESIN	DWG No.: 770NSFPA-LM
	1070 TECHNOLOGY DRIVE N. VENICE, FL 34275 (941) 480-1600	ALUMINUM NARROW STILE SLIDING GLASS DOOR (LM)	Sheet: 16 OF 24	Series Desc. Title: EXAMPLE ELEVATION

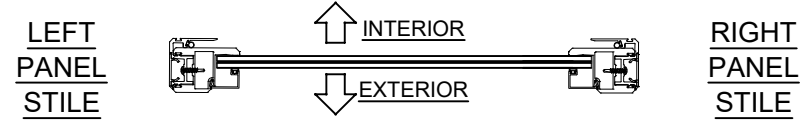


Rev. # 3/28/23
Date
UPDATE TABLE 4, 6'X10' DOOR SIZE

PANEL TYPES	PANEL'S RIGHT STILE TYPE															
	SINGLE INTERLOCK OUT	SINGLE INTERLOCK IN	FIXED STILE	LOCKSTILE W/ HANDLE	ASTRAGAL BOX OUT	ASTRAGAL BOX IN	ASTRAGAL BOX OUT W/ HANDLE	ASTRAGAL BOX IN W/ HANDLE	EXT CORNER 90 RECEIVER W/ HANDLE #118 #60	INT CORNER 90 RECEIVER W/ HANDLE #118 #60	EXT CORNER 90 RECEIVER #118 #60	EXT CORNER 135 RECEIVER W/ HANDLE #31 #60	INT CORNER 135 RECEIVER W/ HANDLE #31 #60			
SINGLE INTERLOCK OUT		F	PP	K				L (BOX OUT)		TC	TA		TV	TW		
SINGLE INTERLOCK IN	B	E	P	A				C (BOX OUT)	C (BOX IN)	SC	SA		SV	SW		
FIXED STILE	RR	R						S (BOX OUT)	S (BOX IN)				FD	FC	FV	FW
LOCKSTILE W/ HANDLE	D	M						J (BOX OUT)	J (BOX IN)							
ASTRAGAL BOX OUT W/ HANDLE	LR (BOX OUT)															
ASTRAGAL BOX IN W/ HANDLE		N (BOX IN)														
ASTRAGAL BOX OUT													T (BOX OUT)	U (BOX OUT)		
ASTRAGAL BOX IN													T (BOX IN)	U (BOX IN)		
EXT CORNER 90 RECEIVER W/ HANDLE #60 #118	CT	CS														
INT CORNER 90 RECEIVER W/ HANDLE #60 #118	AT	AS	DF													
EXT CORNER 90 RECEIVER #118 #60													CF			
EXT CORNER 135 RECEIVER W/ HANDLE #31 #60	VT	VS	VF													
INT CORNER 135 RECEIVER W/ HANDLE #31 #60	WT	WS	WF													

PANEL'S LEFT STILE TYPE

EXAMPLE

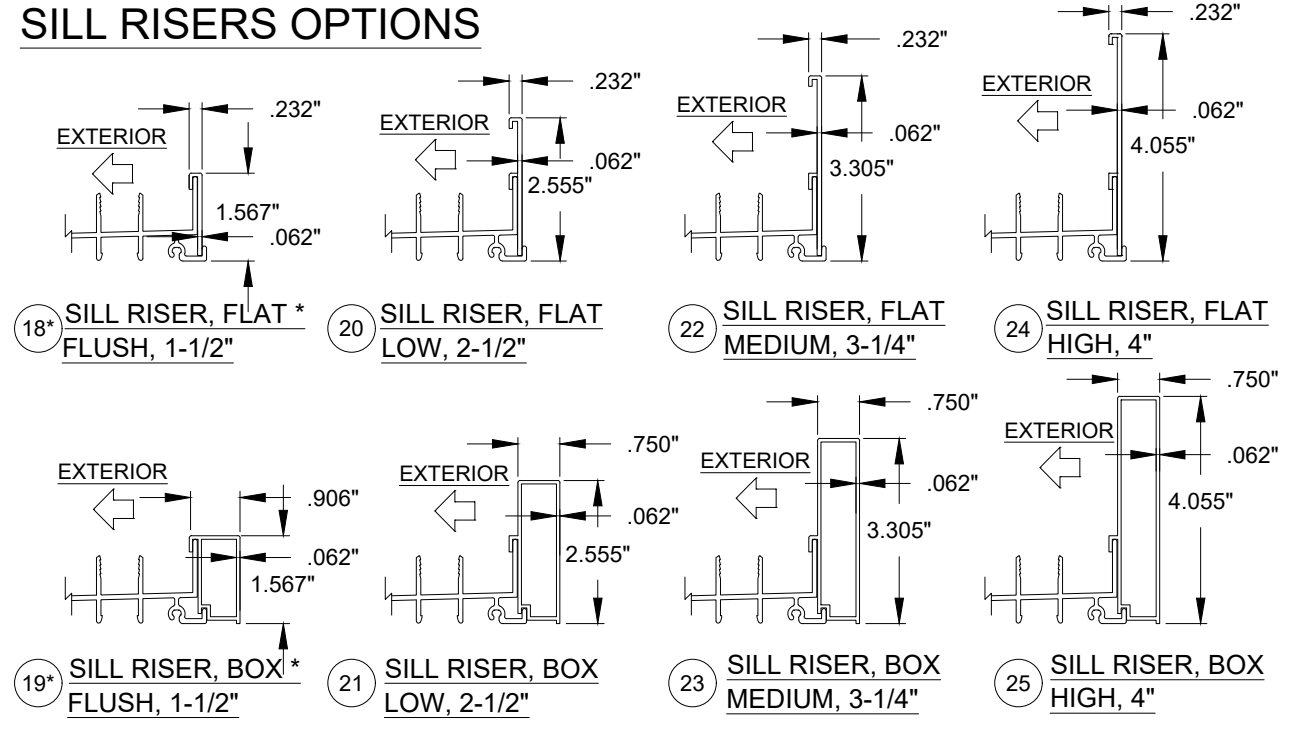


PANEL "E" SHOWN. SEE TABLE FOR OTHER PANEL TYPES AND APPLICABLE STILE/ASTRAGAL REQUIREMENTS.

PANEL NOTES:

1. SEE DP TABLES 1-3, SHEETS 6-8 FOR PANEL SIZES & DESIGN PRESSURE.
2. PANEL TYPES NOT SHOWN OR CROSSED OFF ARE NOT REQUIRED FOR ANY CONFIGURATIONS AND ARE NOT AVAILABLE.
3. 90° ASTRAGALS TO USE HEAVY-DUTY STILES (#61), CORNER RECEIVER (#118) AND EITHER EXTERIOR (#119) OR INTERIOR (#120) CORNER ASTRAGALS.
4. 135° ASTRAGALS TO USE HEAVY-DUTY STILES (#61) AND CORNER ADDON (#31).

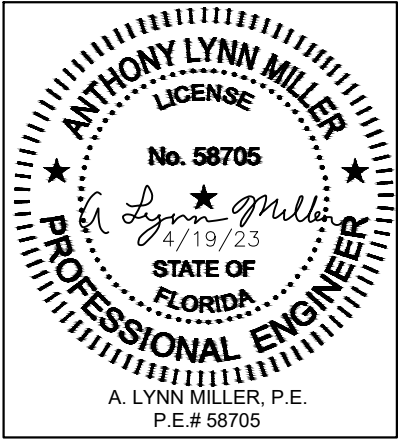
SILL RISERS OPTIONS



* NOT VALID FOR WATER INFILTRATION RESISTANCE REQUIREMENTS, SEE SHEETS 6-8

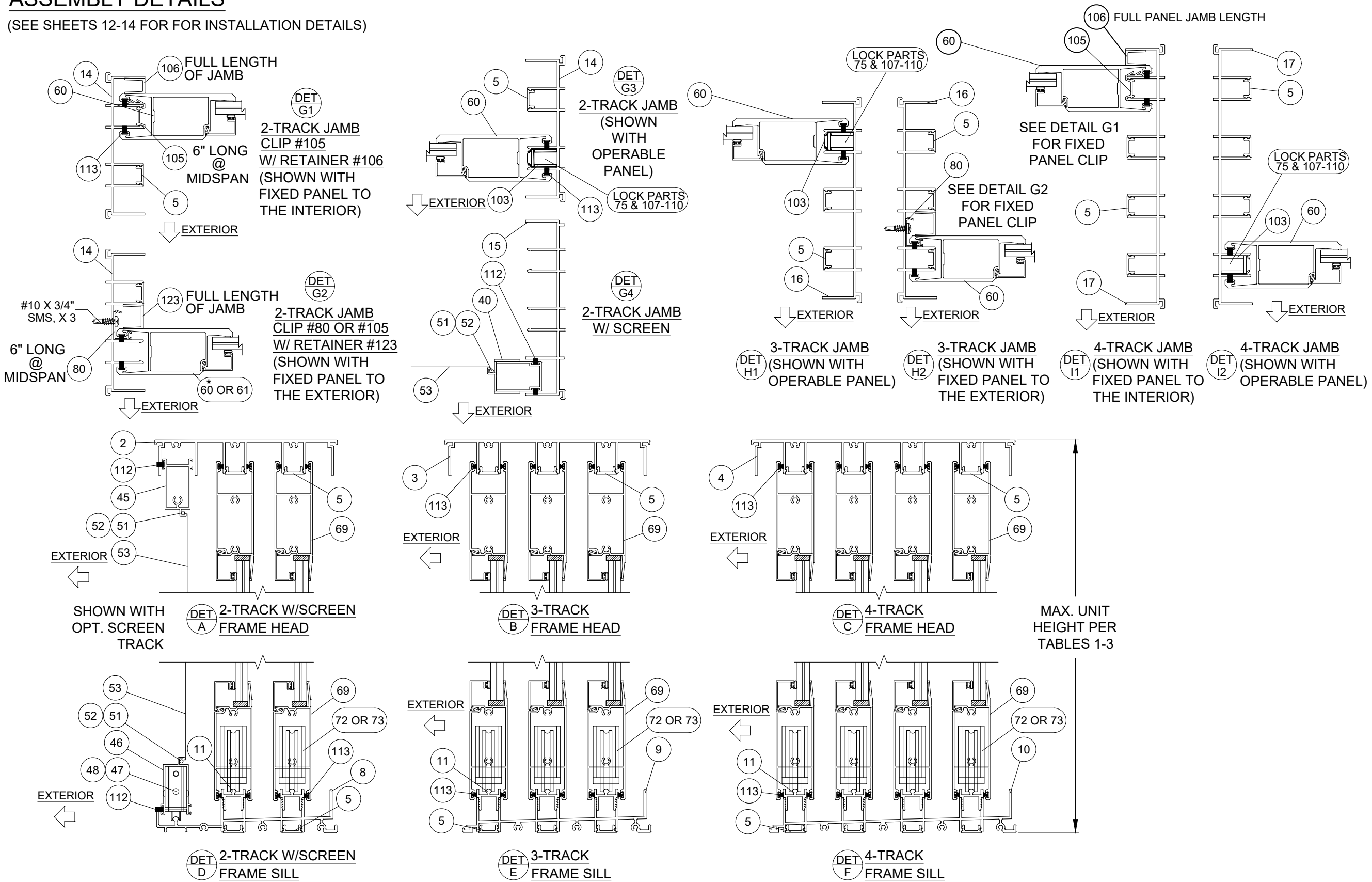
Rev. # 3/28/23
Date
UPDATE TABLE 4, 6'X10' DOOR SIZE

PREPARED BY A. LYNN MILLER 1070 TECHNOLOGY DRIVE N. VENICE, FL 34275 (941) 480-1600	REGISTRATION #29296 COPYRIGHT © 2023 PGT, INC., LIMITED LICENSE TO MAKE COPIES FOR PERMITTING.	Date 12/16/22	Drawn By A. MORLESIN	DWG No. 770NSFPA-LM
	1070 TECHNOLOGY DRIVE N. VENICE, FL 34275 (941) 480-1600	ALUMINUM NARROW STILE SLIDING GLASS DOOR (LM)	Sheet 17 OF 24	Series SGD770NS



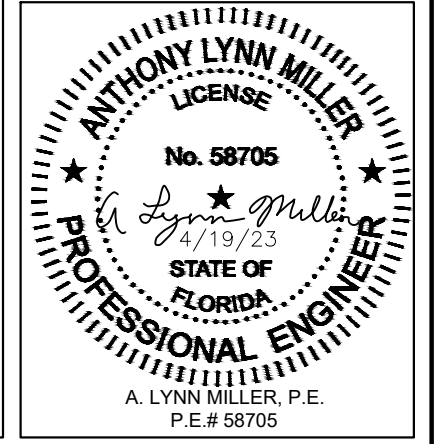
ASSEMBLY DETAILS

(SEE SHEETS 12-14 FOR FOR INSTALLATION DETAILS)



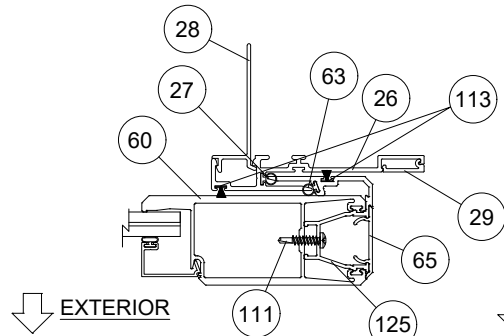
Rev. # 3/28/23
 Date
 Update Table 4, 6'X10' Door Size

PREPARED BY A. LYNN MILLER 1070 TECHNOLOGY DRIVE N. VENICE, FL 34275 (941) 480-1600	REGISTRATION #29296 COPYRIGHT © 2023 PGT, INC., LIMITED LICENSE TO MAKE COPIES FOR PERMITTING.	Date 12/16/22	Drawn By A. MORLESIN	DWG No. 770NSFPA-LM
	1070 TECHNOLOGY DRIVE N. VENICE, FL 34275 (941) 480-1600	ALUMINUM NARROW STILE SLIDING GLASS DOOR (LM)	Series Desc. Title VERTICAL SECTION DETAILS	Sheet 18 OF 24

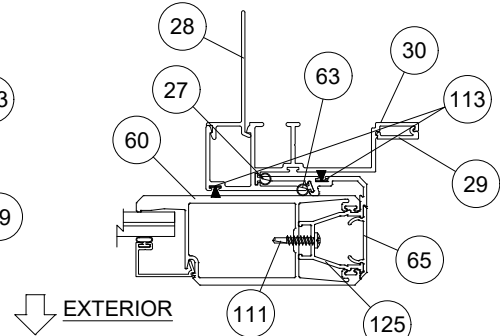


ASSEMBLY DETAILS

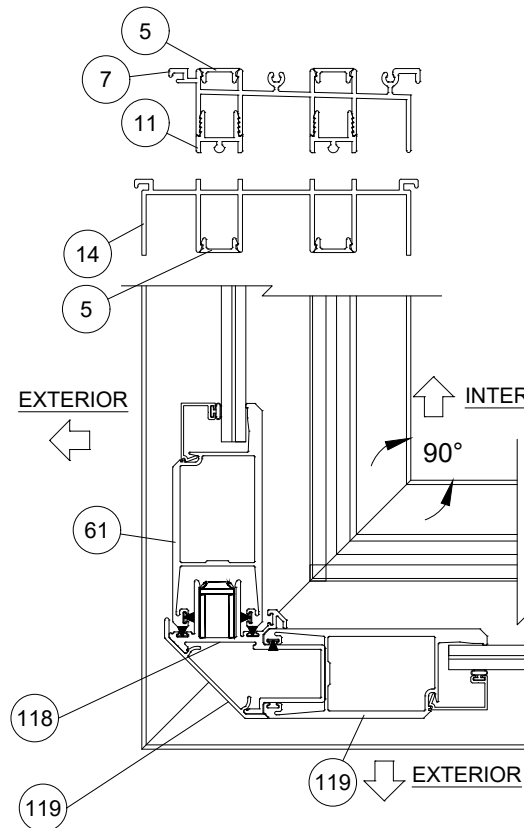
(SEE SHEETS 12-14 FOR FOR INSTALLATION DETAILS)



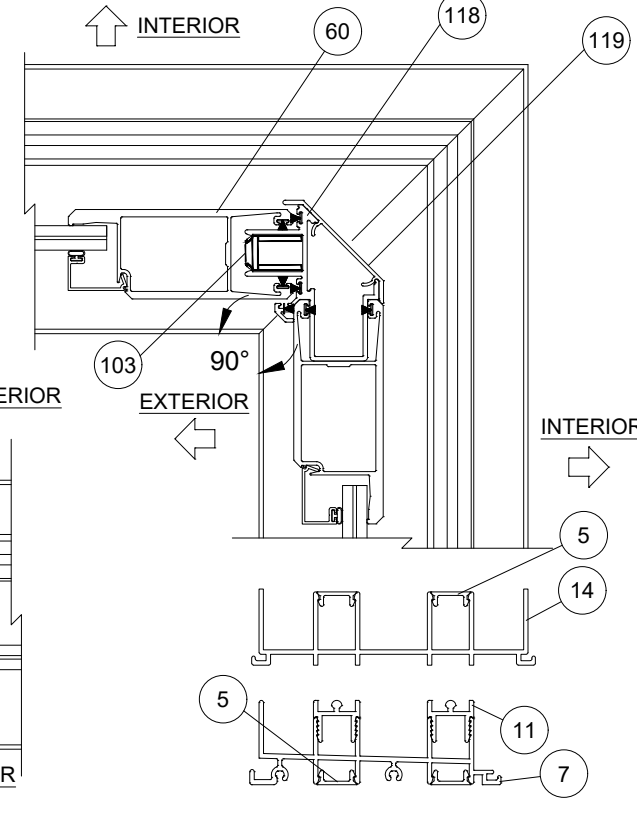
DET J P-HOOK FOR FLAT SILLS
(EXT. OR INT. MOUNT)



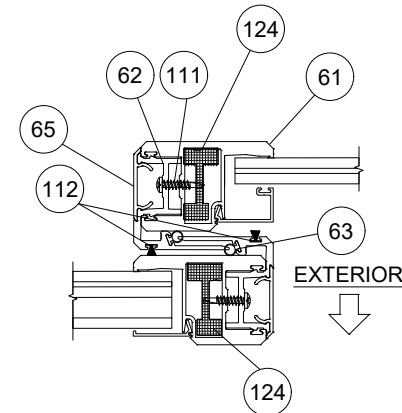
DET K P-HOOK FOR BOX SILLS
EXT. MOUNT ONLY



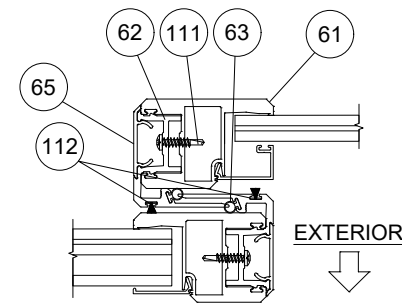
DET N1 90° OUTSIDE CORNER
2-TRACK SHOWN



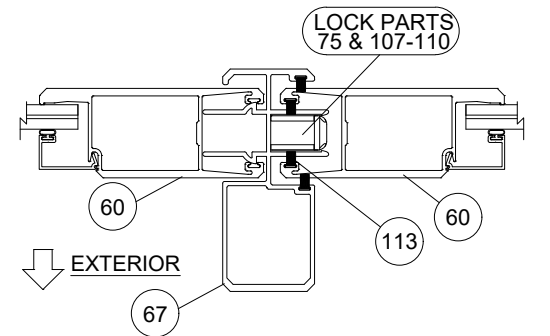
DET N2 90° INSIDE CORNER
2-TRACK SHOWN



DET M1 REINFORCED
INTERLOCK

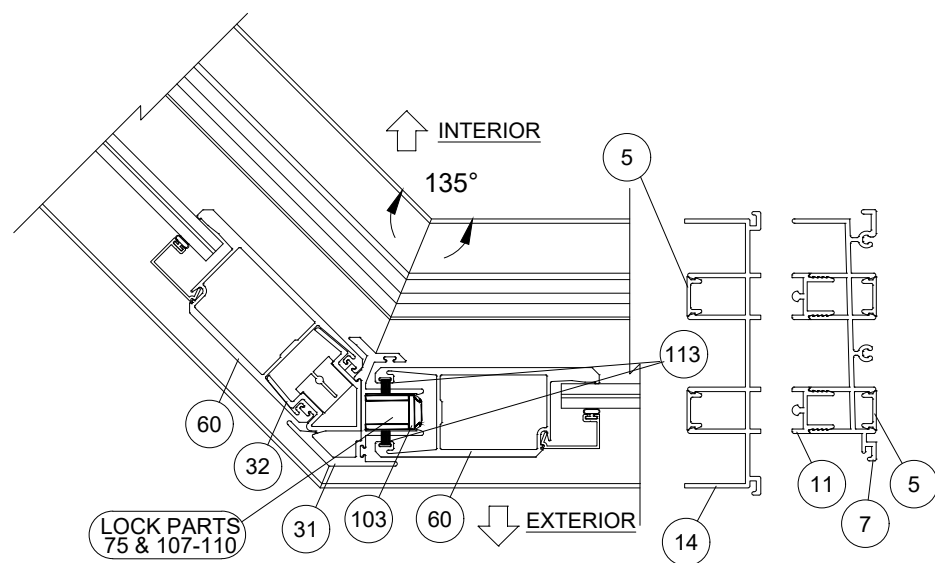


DET M2 INTERLOCK

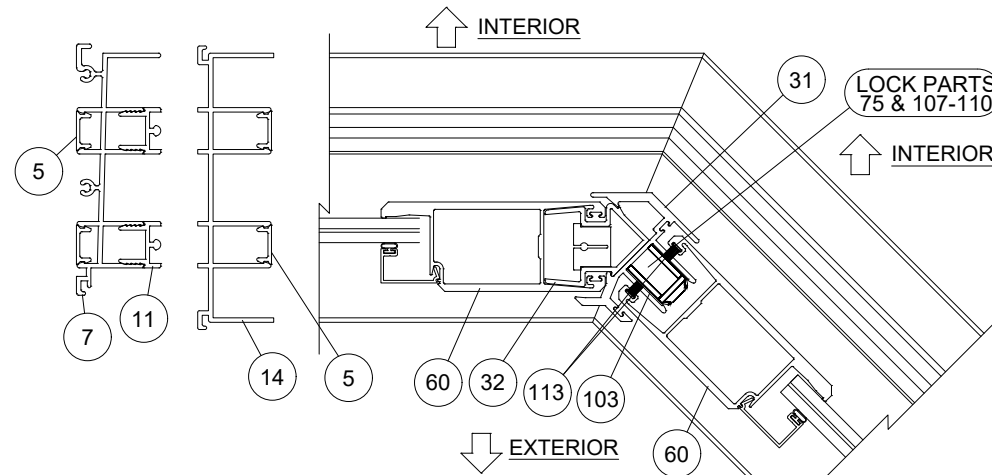


DET L1 STANDARD ASTRAGAL #67
WITH STANDARD STILES #60

EXTERIOR BOX ASTRAGAL SHOWN
(BOX-OUT) MAY ALSO BE INSTALLED
TOWARDS INTERIOR (BOX-IN)



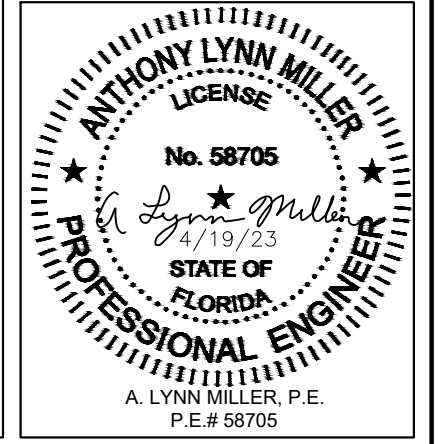
DET O1 135° OUTSIDE CORNER
2-TRACK SHOWN



DET O2 135° INSIDE CORNER
2-TRACK SHOWN

Rev. # C
Date 3/28/23
UPDATE TABLE 4, 6'X10' DOOR SIZE

PREPARED BY A. LYNN MILLER 1070 TECHNOLOGY DRIVE N. VENICE, FL 34275 (941) 480-1600	REGISTRATION #29296 COPYRIGHT © 2023 PGT, INC., LIMITED LICENSE TO MAKE COPIES FOR PERMITTING.	Date 12/16/22
	ALUMINUM NARROW STILE SLIDING GLASS DOOR (LM)	Drawn By A. MORLESIN
1070 TECHNOLOGY DRIVE N. VENICE, FL 34275 (941) 480-1600	Series Desc. Title	No. DWG 19 OF 24
HORIZONTAL SECTION DETAILS	Sheet SGD770NS	770NSFPA-LM

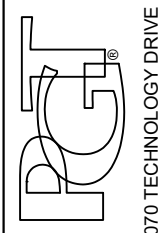


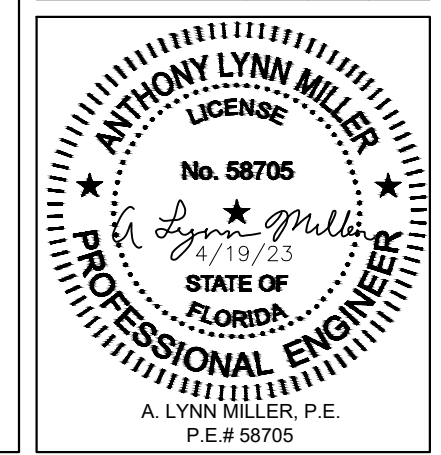
Item	PGT Dwg. #	PGT #	Description
1	17306	617306	2-TRACK HEAD
2	17303	617303	2-TRACK HEAD WITH SCREEN RAIL
3	17309	617309	3-TRACK HEAD
4	17312	617312	4-TRACK HEAD
5	17314	617314	FRAME SCREW COVER
6	17317	617317	FRAME HEAD/JAMB ADD-ON
7	17304	617304	2-TRACK SILL
8	17301	617301	2-TRACK SILL WITH SCREEN RAIL
9	17307	617307	3-TRACK SILL
10	17310	617310	4-TRACK SILL
11	17313	617313	FRAME SILL TRACK INSERT
12	17315	617315	FRAME SILL SCREEN ADD-ON (SEE NOTE 3)
13	17316	617316	FRAME SILL SCREEN END ADD-ON (SEE NOTE 3)
14	17305	617305	2-TRACK JAMB
15	17302	617302	2-TRACK JAMB WITH SCREEN RAIL
16	17308	617308	3-TRACK JAMB
17	17311	617311	4-TRACK JAMB
18	17322	617322	SILL RISER - FLAT, FLUSH, 1-1/2"
19	17319	617319	SILL RISER - BOX, FLUSH, 1-1/2"
20	17321	617321	SILL RISER - FLAT, LOW, 2-1/2"
21	17318	617318	SILL RISER - BOX, LOW, 2-1/2"
22	17355	617355	SILL RISER - FLAT, MEDIUM, 3-1/4"
23	17354	617354	SILL RISER - BOX, MEDIUM, 3-1/4"
24	17323	617323	SILL RISER - FLAT, HIGH, 4"
25	17320	617320	SILL RISER - BOX, HIGH, 4"
26	17333	617333	POCKET P-HOOK
27	7070	67070	NEOPRENE BULB WSTP FOR P-HOOK
28	17334	617334	POCKET P-HOOK MOUNT
29	17335	617335	P-HOOK COVER
30	17348	617348	POCKET P-HOOK FOR BOX RISER
31	17378	617378	135 CORNER
32	17376	617376	135 FIXED MOUNT
ITEMS 40-53 ARE SCREEN PARTS:			
40	4319	612258	SCREEN SIDE RAIL - LOCKSTILE
41		7LOCKWGSK	SCREEN LOCKSET
42		41818	SCREEN KEEPER SPACER SET
43	8152	68152	SCREEN INTERLOCK ADAPTER
44	4428	64428	SCREEN DOUBLE INTERLOCK
45	4317	612256	SCREEN TOP RAIL
46	4318	612257	SCREEN BOTTOM RAIL
47	668	7SRAZ	STANDARD ROLLER
48	668	7SRAX	STANDARD ROLLER - ST. STL.
49	4344	64344	SCREEN ASTRAGAL
50	17349	617349	OXO SCREEN ASTRAGAL ADAPTER
51	1692	61692	SCREEN SPLINE - .165"
52	1694	61694	SCREEN SPLINE - .150"
53		61816C20	SCREEN CLOTH
54	1725		1/2" X 4" X 1/16" SET. BLOCK, NEOPRENE 85 +/-5
55	1726		1" X 4" X 1/16" SET. BLOCK, NEOPRENE 85 +/-5

Item	PGT Dwg. #	PGT #	Description
60	17409	617409	NARROW LOCK STILE
61	17408	617408	NARROW INTERLOCK STILE
62	17407	617407	NARROW INTERLOCK ADAPTER
63	1225	6TP248	VINYL BULB WSTP. - THIN (INSIDE INTERLOCK)
64	1729	71729	SILL END WEATHERSTRIP PAD
65	17328	617328	INTERLOCK SCREW COVER
67	17329	617329	ASTRAGAL
68	17339	617339	HEAVY DUTY ASTRAGAL
69	17324	617324	TOP & BOTTOM RAIL
70	17350	417350	WEATHERSTRIP EXTENSION (INJECTION MOLDED)
71	1695	71695	1-1/2" X 1" X 3/4" HIGH FIN SEAL DUST PLUGS
72	8153	78153X	TANDEM ST. STL. ROLLER ASSY.
73	8153	78153N	TANDEM NYLON ROLLER ASSY.
74		SILICONE	DOW-791, 899, 983, 995 OR GE-7700
75	8185	78185X	GEMINI MORTICE 3-PLY DUAL LOCK W/LONG TRIM PLATE
76		71032X1FPFX	#10-32 X 1" FL. SS SCREW W/ TYPE "F" TIP
77		7103239	10-32 STEEL ZINC U-NUT
79	17357	617357	1" IG BEAD
80	17359	617359	7/16" BEAD / FIXED PANEL CLIP
81	17360	617360	9/16" BEAD
82	1224	6TP247K	VINYL BULB WEATHERSTRIP
83	61745	1745	LOWE INC, 1/2" X 1/16" SGL. SIDE ADH. TAPE, POLYETH.
100	8052	48052	ROLLER ADJ. HOLE PLUG
101		72087	JAMB BUMPER
102	1696	71696	DUST PLUG
103	8186	78186X	1" KEEPER
104	653	7SDKEEP	SCREEN LOCK KEEPER
105	17344	617344	FIXED PANEL CLIP - 6" LONG
106	17352	617352	FIXED PANEL RETAINER - 9/16"
107	1739	71739	HANDLE KIT - INTERIOR RAISED WITH THUMB TURN
108	1740	71740	HANDLE KIT - RAISED EXTERIOR HANDLE
109	1731	78162SN	HANDLE KIT - RECESSED INTERIOR WITH THUMB TURN
110	1732	78178	HANDLE KIT - RECESSED EXTERIOR PULL
111		710X34PPSDAX	#10 X 3/4" PH. PN. TEK - S.S.
112	1235	67S16	WSTP, .270 X .170 - FIN SEAL
113	1712	64066	.187" X .230" FINSEAL
114		710X115PPX	#10 X 1-1/2"
115		710XPPT	#10 X 1"
116		720X1X	#14-20 X 1" S.S.
117		720X112X	#14-20 X 1-1/2" S.S.
118	17410	617410	90 DEGREE CORNER ADAPTER
119	17411	617411	90 DEGREE CORNER COVER
121			HEADER BLOCK
122			#12 X 1-3/4" SELF-DRILLING SCREW
123	17352	617352	FIXED PANEL RETAINER, 7/8"
124	17405	617405	NARROW REINFORCE
126	17404	617404	NARROW HD INTERLOCK STILE
127	17405	617405	HD "Z" REINFORCEMENT
128	17339	617339	HD ASTRAGAL
129		717413	FRAME HEADER BLOCK ATTACHED W/ 2X 1/4-20 X 1-1/2" PH & 1X INSTALLATION ANCHOR FROM TABLE B

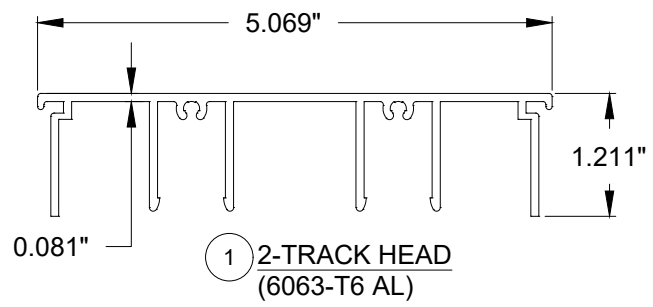
NOTES:
1) ALL ALUMINUM = 6063-T6
2) ITEMS # 33-39, 56-59, 66, 68, 69, 78, 84-99, &120 ARE NOT USED AND ARE NOT PART OF THIS APPROVAL.
3) USE OF #12 OR #13 REQUIRES MIN. #10 SMS OR 3/16" MASONRY ANCHORS @ 24" MAX. O.C.

Rev. # 3/28/23
Date
DOOR SIZE
UPDATE TABLE 4, 6'X10'
C

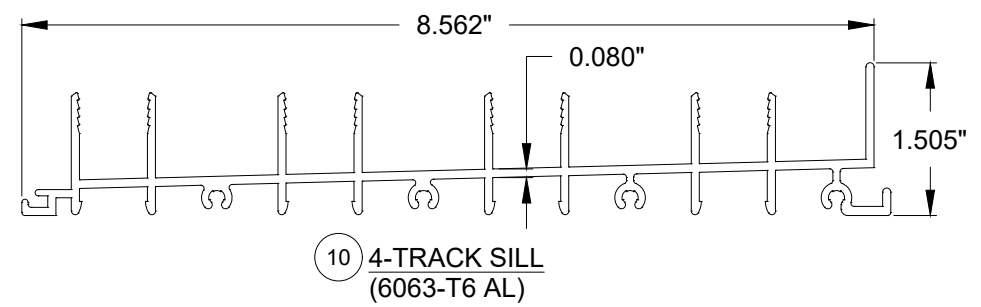
PREPARED BY A. LYNN MILLER 1070 TECHNOLOGY DRIVE N. VENICE, FL 34275 (941) 480-1600	REGISTRATION #29296 COPYRIGHT © 2023 PGT, INC., LIMITED LICENSE TO MAKE COPIES FOR PERMITTING.	12/16/22 A. MORLESIN 770NSFPA-LM
 1070 TECHNOLOGY DRIVE N. VENICE, FL 34275 (941) 480-1600		ALUMINUM NARROW STILE SLIDING GLASS DOOR (LM) BILL OF MATERIALS 20 OF 24 SGD770NS



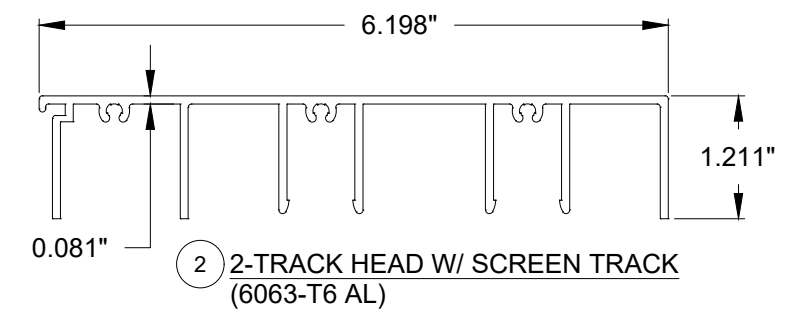
A. LYNN MILLER, P.E.
P.E.# 58705



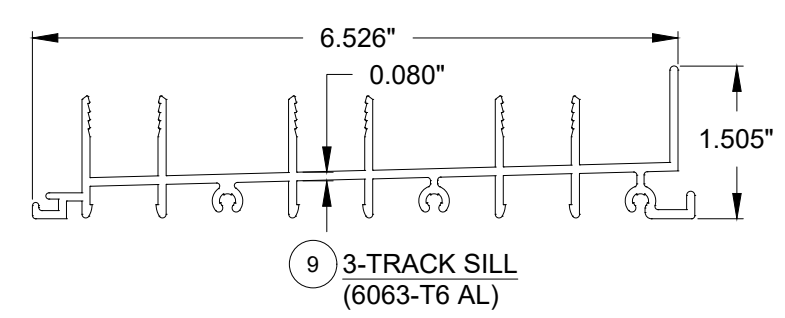
1 2-TRACK HEAD
(6063-T6 AL)



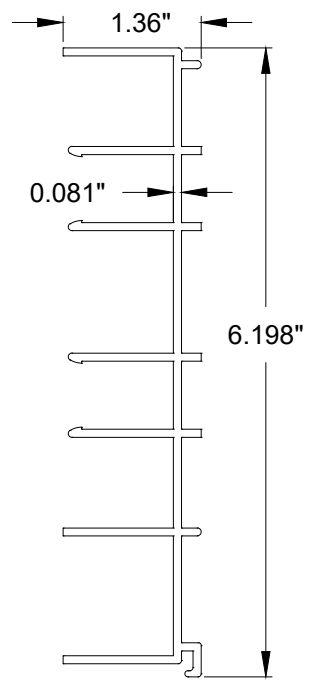
10 4-TRACK SILL
(6063-T6 AL)



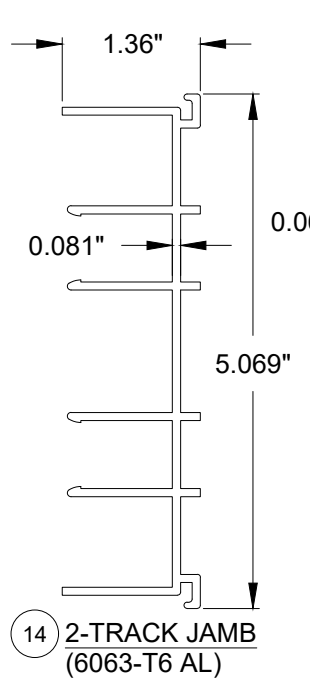
2 2-TRACK HEAD W/ SCREEN TRACK
(6063-T6 AL)



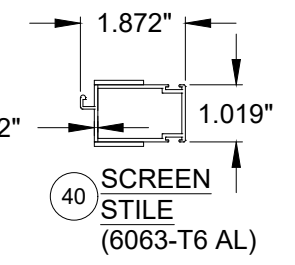
9 3-TRACK SILL
(6063-T6 AL)



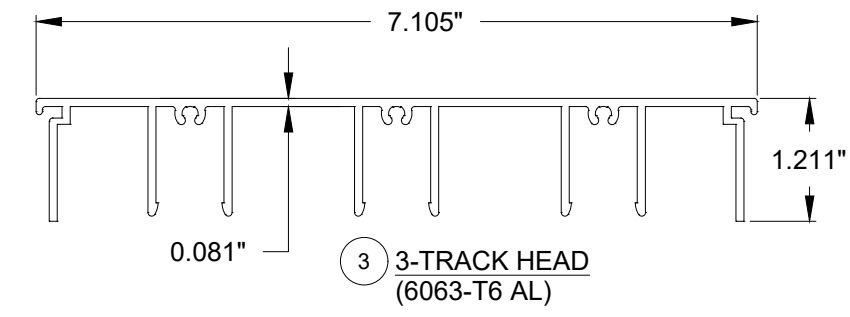
15 2-TRACK JAMB W/ SCREEN TRACK
(6063-T6 AL)



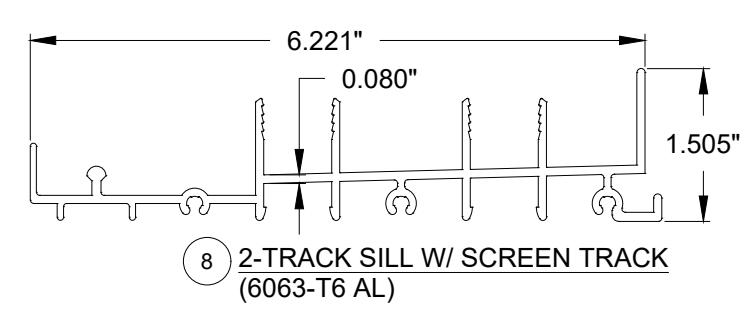
14 2-TRACK JAMB
(6063-T6 AL)



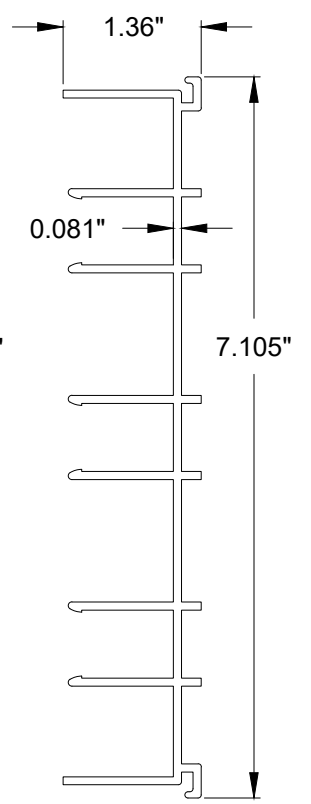
40 SCREEN STILE
(6063-T6 AL)



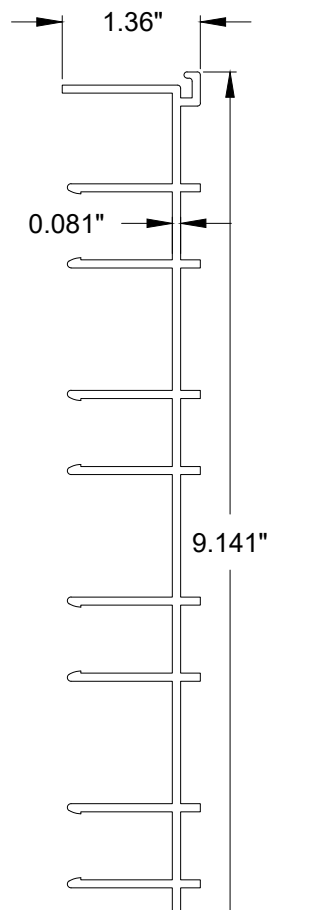
3 3-TRACK HEAD
(6063-T6 AL)



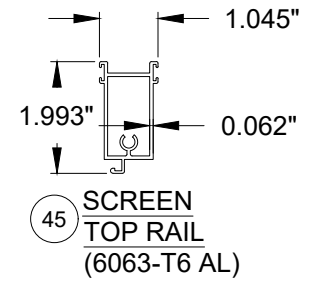
8 2-TRACK SILL W/ SCREEN TRACK
(6063-T6 AL)



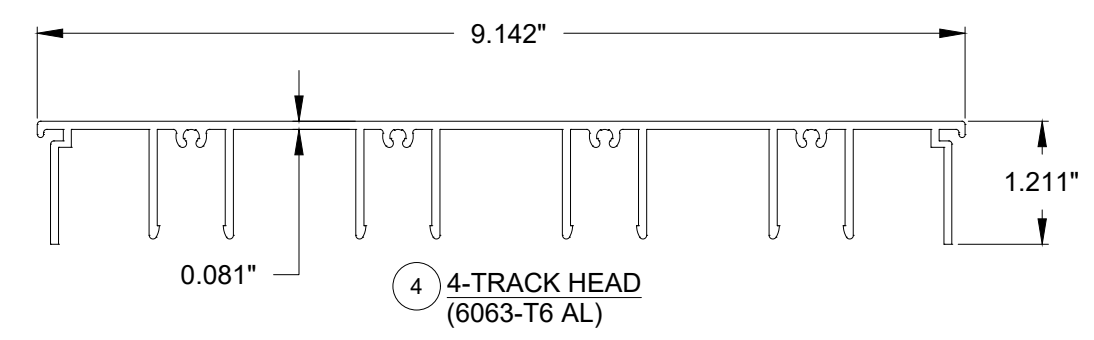
16 3-TRACK JAMB
(6063-T6 AL)



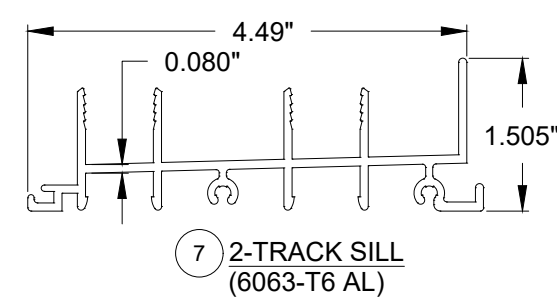
17 4-TRACK JAMB
(6063-T6 AL)



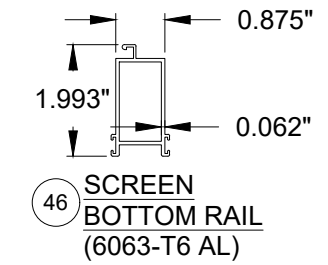
45 SCREEN TOP RAIL
(6063-T6 AL)



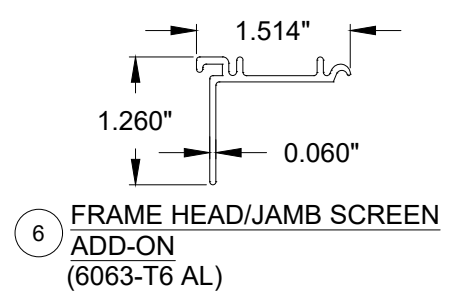
4 4-TRACK HEAD
(6063-T6 AL)



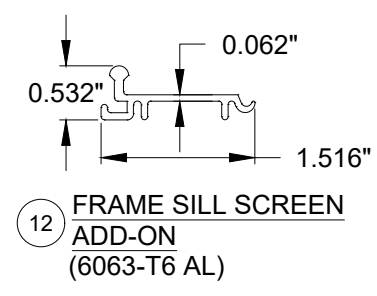
7 2-TRACK SILL
(6063-T6 AL)



46 SCREEN BOTTOM RAIL
(6063-T6 AL)

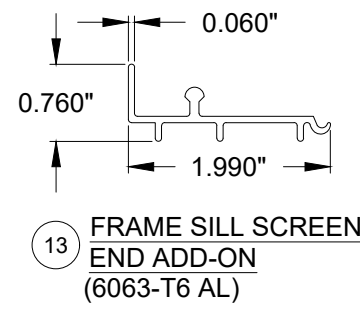


6 FRAME HEAD/JAMB SCREEN ADD-ON
(6063-T6 AL)



12 FRAME SILL SCREEN ADD-ON
(6063-T6 AL)

REQUIRES MIN. #10 SMS OR 3/16" MASONRY ANCHORS @ 24" MAX. O.C.

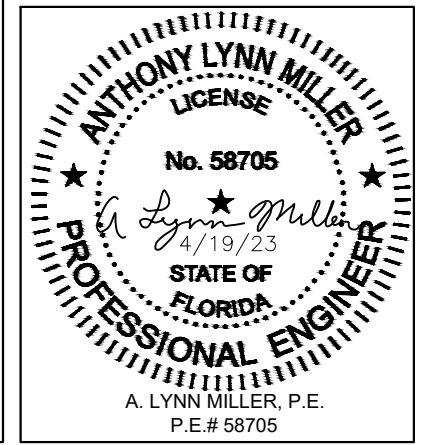


13 FRAME SILL SCREEN END ADD-ON
(6063-T6 AL)

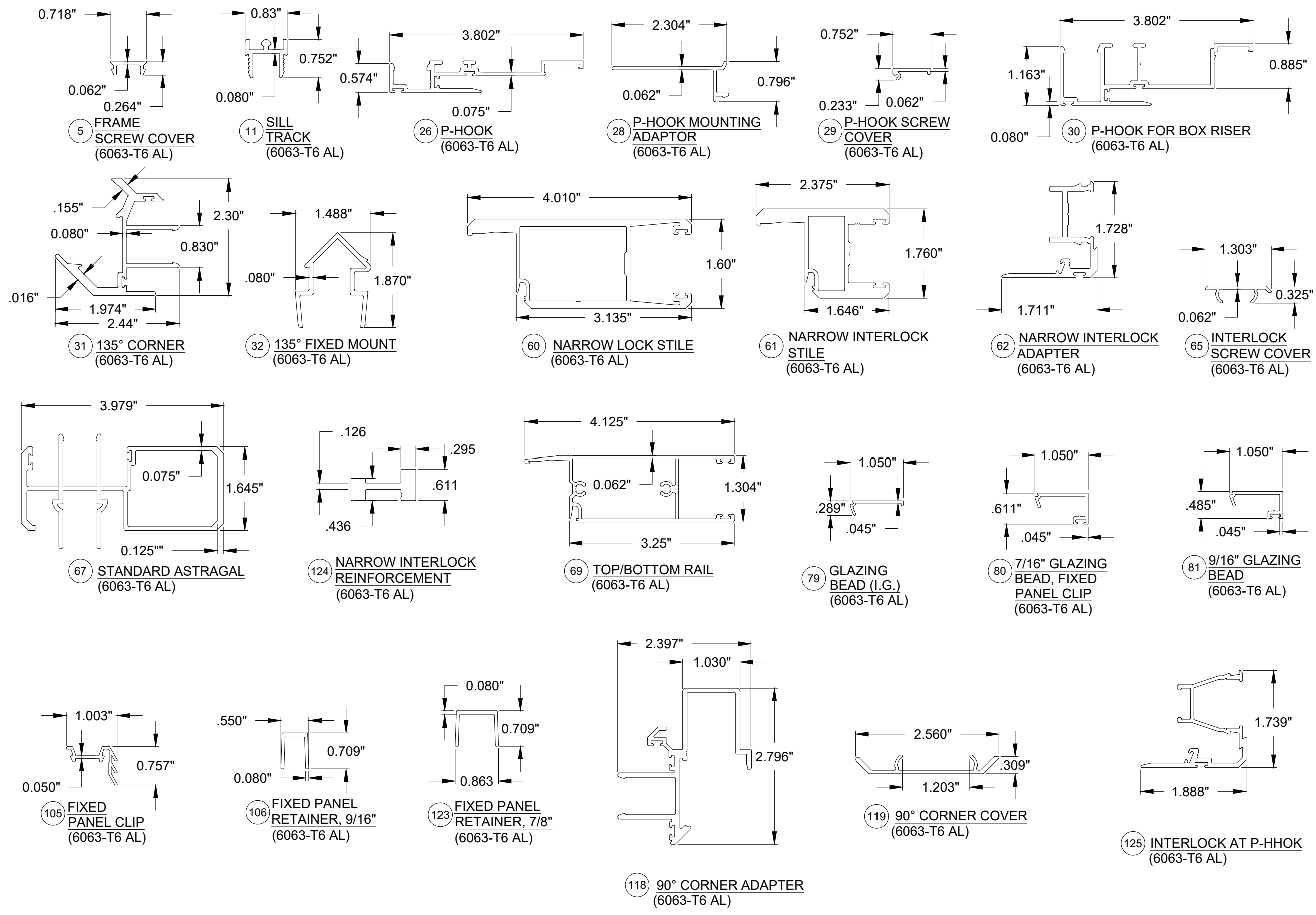
REQUIRES MIN. #10 SMS OR 3/16" MASONRY ANCHORS @ 24" MAX. O.C.

SEE SHEET 17 FOR SILL RISERS.

PREPARED BY A. LYNN MILLER 1070 TECHNOLOGY DRIVE N. VENICE, FL 34275 (941) 480-1600	REGISTRATION #29296 COPYRIGHT © 2023 PGT, INC., LIMITED LICENSE TO MAKE COPIES FOR PERMITTING.	Date 12/16/22	Drawn By A. MORLESIN	No. DWG 21 OF 24	Sheet 770NSFPA-LM
	ALUMINUM NARROW STILE SLIDING GLASS DOOR (LM)				



A. LYNN MILLER, P.E.
 P.E.# 58705



PREPARED BY A. LYNN MILLER 1070 TECHNOLOGY DRIVE N. VENICE, FL 34275 (941) 480-1600	REGISTRATION #29296 COPYRIGHT © 2023 PGT, INC., LIMITED LICENSE TO MAKE COPIES FOR PERMITTING.	Date 12/16/22
	ALUMINUM NARROW STILE SLIDING GLASS DOOR (LM)	
Series EXTRUSIONS	Drawn By A. MORLESIN	Dwg No. 770NSFPA-LM
Sheet SGD770NS	22 OF 24	

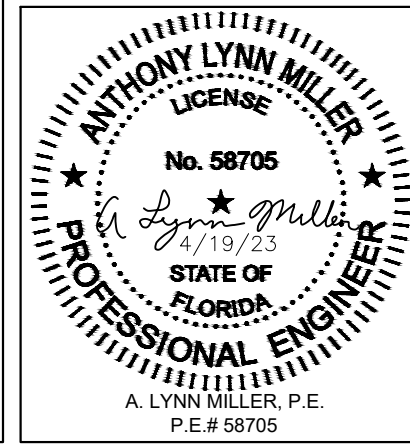


TABLE 4:

Design Pressure (DP) and Anchor Quantities Required, (for all approved configurations on Sheets 2 & 3)

Table applies to: Glass Types 4, 4A, 6, & 6A. Reinf. required; see detail "M3", page 23 Pos. (+) DP may be limited by Table 2A.			Door Unit Height																																
			80"				84"				90"				96"				102"				108"				114"				120"				
			91-7/8" DLO				97-7/8" DLO				103-7/8" DLO				109-7/8" DLO				91-7/8" DLO				97-7/8" DLO				103-7/8" DLO				109-7/8" DLO				
			Anchor Group				Anchor Group				Anchor Group				Anchor Group				Anchor Group				Anchor Group				Anchor Group								
			A	B	C	D	A	B	C	D	A	B	C	D	A	B	C	D	A	B	C	D	A	B	C	D	A	B	C	D	A	B	C	D	
Nominal Panel Width	54"	49-1/4" DLO	Design Pressure	For This size see Table 2 on sheet 7																															
			Head/Sill																																
			Jamb																																
			P-hook																																
	60"	55-1/4" DLO	Design Pressure	For This size see Table 2 on sheet 7																															
			Head/Sill																																
			Jamb																																
			P-hook																																
	66"	61-1/4" DLO	Design Pressure	+60.0/-65.0 psf				+60.0/-65.0 psf				+60.0/-65.0 psf				+60.0/-65.0 psf				+60.0/-65.0 psf				+60.0/-65.0 psf				+60.0/-63.2 psf							
			Head/Sill	C5+2	C5+2	C5+2	C5+2	C5+2	C5+2	C5+2	C5+2	C5+2	C5+2	C5+2	C5+2	C5+2	C5+2	C5+2	C5+2	C5+2	C5+2	C5+2	C5+2	C5+2	C5+2	C5+2	C5+2	C5+2	C5+2	C5+2	C5+2				
			Jamb	6	6	6	6	6	6	6	6	8	6	6	6	8	6	6	6	8	8	8	8	10	8	8	8	10	8	8	8	10	8	8	8
			P-hook	6+7	6+7	6+7	6+7	7+7	7+7	7+7	7+7	7+7	7+7	7+7	7+7	7+8	7+8	7+8	7+8	8+8	8+8	8+8	8+8	8+9	8+9	8+9	8+9	9+9	9+9	9+9	9+9	9+10	9+10	9+10	9+10
72"	67-1/4" DLO	Design Pressure	+60.0/-65.0 psf				+60.0/-65.0 psf				+60.0/-65.0 psf				+60.0/-65.0 psf				+60.0/-65.0 psf				+60.0/-64.6 psf				+60.0/-60.0 psf								
		Head/Sill	C5+3	C5+3	C5+2	C5+3	C5+3	C5+3	C5+2	C5+3	C5+3	C5+3	C5+2	C5+3	C5+3	C5+3	C5+2	C5+3	C5+3	C5+3	C5+2	C5+3	C5+3	C5+3	C5+2	C5+3	C5+3	C5+3	C5+2	C5+3					
		Jamb	6	6	6	6	6	6	6	6	8	6	6	6	8	8	8	8	10	8	8	8	10	8	8	8	10	8	8	8	10	8	8	8	
		P-hook	6+7	6+7	6+7	6+7	7+7	7+7	7+7	7+7	7+7	7+7	7+7	7+7	7+8	7+8	7+8	7+8	8+8	8+8	8+8	8+8	8+9	8+9	8+9	8+9	9+9	9+9	9+9	9+9	9+10	9+10	9+10	9+10	

FOR EXAMPLE ON USING TABLE, SEE SHEET 9.

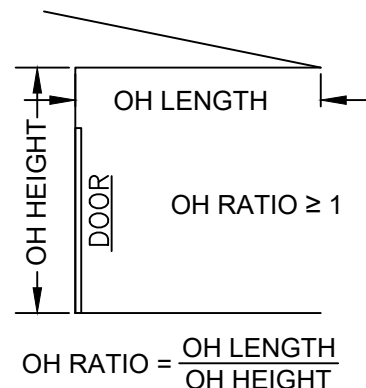
NOTES:

- 1) POSITIVE PRESSURES IN TABLE 4 ARE BASED ON THE USE OF THE 3-1/4" SILL.
- 2) WHEN USING THE 2-1/2" SILL, POSITIVE WATER DP IS 46.67 PSF MAX. WHEN USING THE 3-1/4" SILL, POSITIVE WATER DP IS 60.0 PSF MAX. WHEN USING THE 4" SILL, POSITIVE WATER DP IS 60.0 PSF MAX (NEGATIVE PRESSURES UNCHANGED). SEE TABLE 4A.
- 3) 4", 3-1/4" AND 2-1/2" SILL HEIGHTS ARE TESTED FOR WATER INFILTRATION WHEREAS THE 1-1/2" SILL IS NOT AND MUST ONLY BE USED WHERE WATER RESISTANCE IS NOT REQUIRED. MAX. POSITIVE DESIGN PRESSURES SHOWN IN TABLE 1 MAY BE USED WHEN THE DOOR IS PROTECTED BY AN OVERHANG COMPLYING WITH THE CURRENT FLORIDA BUILDING CODE (SEE ADJACENT DIAGRAM); THIS CONDITION IS NOT RATED FOR WATER INFILTRATION.
- 4) SEE SHEETS 10-14 FOR ANCHORAGE SPACING, EDGE DISTANCE AND EMBEDMENT INFORMATION.
- 5) DOOR TO COMPLY WITH CURRENT FBC EGRESS REQUIREMENTS WHEN REQUIRED.
- 6) JAMB ANCHORS ARE SPECIFIED AS THE TOTAL QUANTITY, DIVIDE BY 2 FOR PAIRS TO BE INSTALLED.

GLASS WIDTH = NOMINAL PANEL WIDTH - 3.25"
 DLO WIDTH = NOM. PANEL WIDTH - 4.75"
 DLO HEIGHT = DOOR UNIT HEIGHT - 10.125"
 PANEL HEIGHT = DOOR UNIT HEIGHT - 1.866"

TABLE 4A:

Sill Height to Max. (+) DP (Water Infiltration Rating)	
Sill Riser Height (Flat or Box, see Sheet 17)	(+) Design Pressure, psf
Flush - 1-1/2"	see note 3
Low - 2-1/2"	+ 46.67
Medium - 3-1/4"	+ 60.0
High - 4"	+ 60.0



SEE NOTES 1-3

TABLE D:

Anchor Group	Anchor Type	Frame Member	Substrate	Min. Edge Distance	Min. O.C. Distance	Min. Embedment or Metal Thickness
A1	#14 18-8 SMS or #14 410 SS SMS (min. of 3 threads beyond metal substrate)	All	Southern Pine (SG = 0.55)	5/8"	1"	1"
			6063-T5 Aluminum	3/8"	5/8"	0.0566 (16 Ga)
			A36 Steel	3/8"	3/4"	.035 (20 Ga)
			Gr. 33 Steel Stud	3/8"	3/4"	0.045" (18 Ga)
B1	#14 Steel SMS (Gr. 5) (min. of 3 threads beyond metal substrate)	All	Concrete (min. 2.22 ksi)	1-1/2"	3"	1-3/8"
			Filled Block (ASTM C90)	2"	3"	2"
			Hollow Block (ASTM C90)	2"	3"	1-1/4"
			Southern Pine (SG = 0.55)	1"	1"	1"
C1	1/4" DeWalt UltraCon® +	All	Concrete (min. 3 ksi)	2-1/2"	4"	1-1/4"
			Hollow Block (ASTM C90)	2-1/2"	4"	1-1/4"
			Jamb / P-hook	2-1/2"	4"	1-1/4"
			All	2-1/2"	4"	1-1/4"
D1	1/4" 410 SS DeWalt/Elco CreteFlex®	All	Concrete (min. 3.35 ksi)	1"	6"	1-3/4"
			Hollow Block (ASTM C90)	2-1/2"	6"	1-1/4"
			Jamb / P-hook	2-1/2"	6"	1-1/4"
			All	2-1/2"	6"	1-1/4"

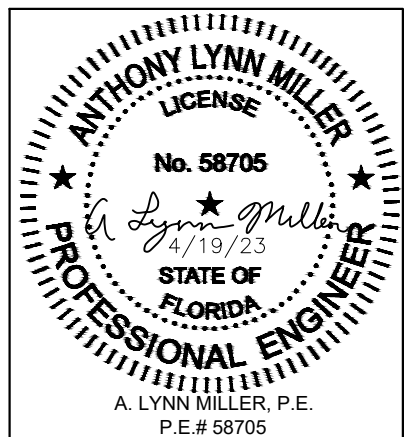
PREPARED BY A. LYNN MILLER
 1070 TECHNOLOGY DRIVE
 N. VENICE, FL 34275
 (941) 480-1600

REGISTRATION #29296
 COPYRIGHT © 2023 PGT, INC., LIMITED LICENSE
 TO MAKE COPIES FOR PERMITTING.

12/16/22
 ALUMINUM NARROW STILE SLIDING GLASS DOOR (LM)

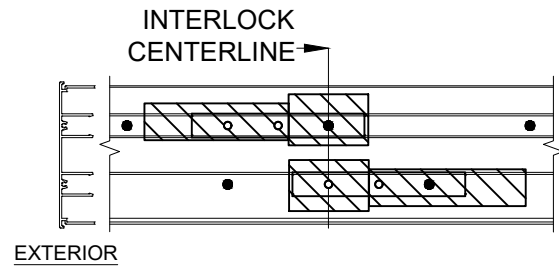
A. MORLESIN
 770NSFPA-LM

23 OF 24
 SGD770NS

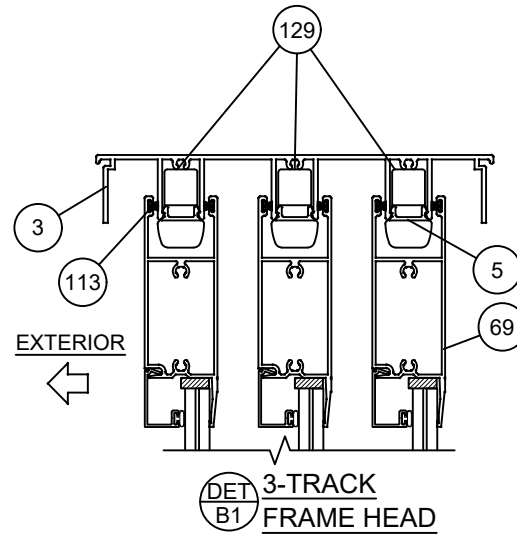


Rev. # 3/28/23
 Date
 UPDATE TABLE 4, 6'X10' DOOR SIZE
 Rev.

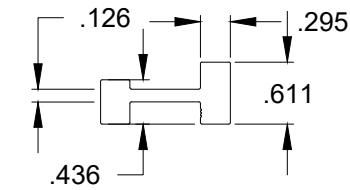
NOTE: FRAME HEADER BLOCK REQUIRED AT EA. NARROW INTERLOCK STILE ON ALL 2-TRACK, 3-TRACK & 4-TRACK FRAME HEADS



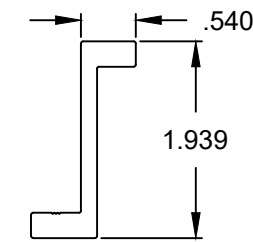
2-TRACK FRAME HEAD @ INTERLOCK
(USE WHERE 5 CLUSTER ANCHORS ARE REQUIRED, "C5")
NOTE: NO SPLICE TRACK ON INTERLOCK LOCATIONS



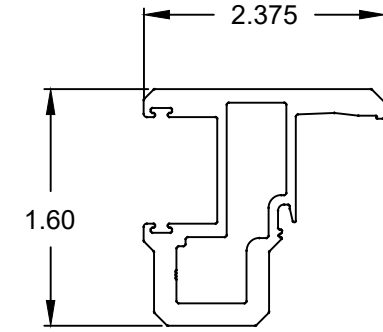
3-TRACK FRAME HEAD



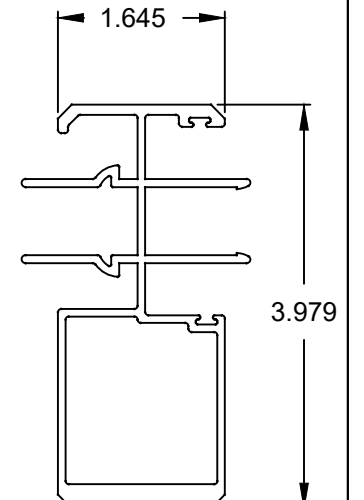
124 NARROW INTERLOCK REINFORCEMENT
(6063-T6 AL)



127 HD "Z" REINFORCEMENT
(6063-T6 AL)

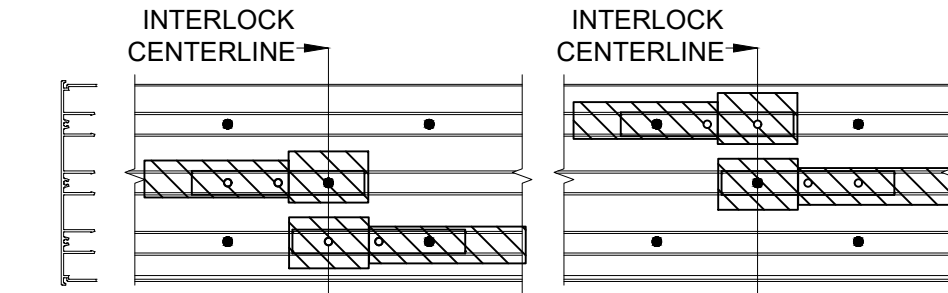


126 NARROW "HD" INTERLOCK
(6063-T6 AL)



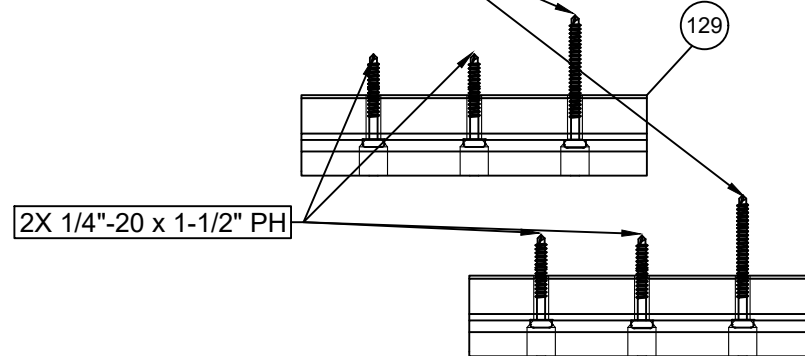
128 HD ASTRAGAL
(6063-T6 AL)

NOTE: DETAIL B1 APPLIES TO ALL FRAME TYPES

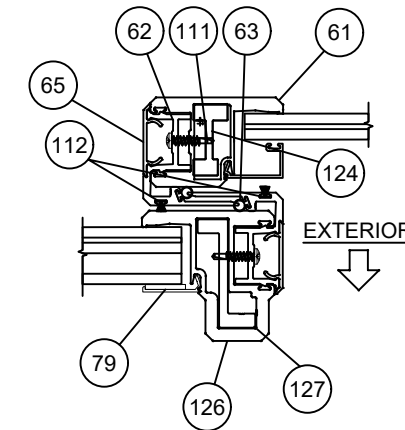


3-TRACK FRAME HEAD @ INTERLOCK
(USE WHERE 5 CLUSTER ANCHORS ARE REQUIRED, "C5")
NOTE: NO SPLICE TRACK ON INTERLOCK LOCATIONS

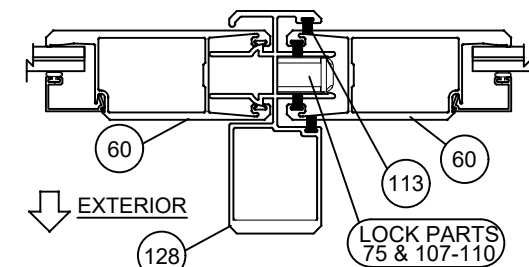
USE ONE APPROPRIATE INSTALLATION ANCHOR FROM TABLE B ON EACH HEADER BLOCK



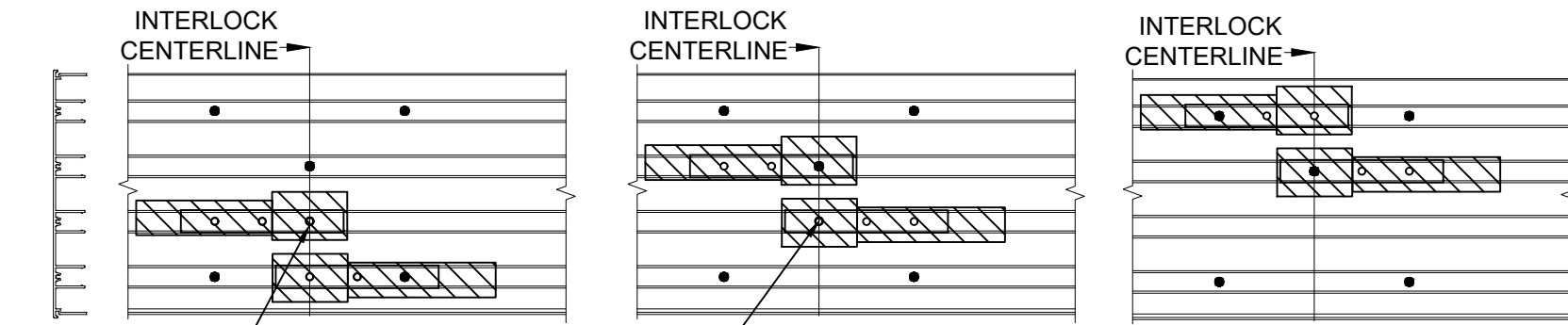
2X 1/4"-20 x 1-1/2" PH



DET M3 REINFORCED HD INTERLOCK
(6063-T6 AL)



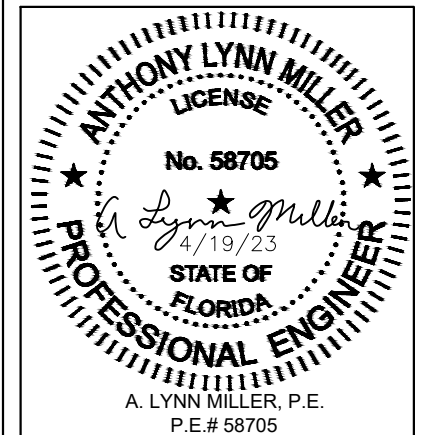
DET L2 HD ASTRAGAL #128 WITH NARROW LOCK STILES #60



EXTRA ANCHORS WILL BE REQUIRED FOR SOME CONFIGURATIONS WITH HEADER BLOCKS

4-TRACK FRAME HEAD @ INTERLOCK
(USE WHERE 5 CLUSTER ANCHORS ARE REQUIRED, "C5")
NOTE: NO SPLICE TRACK ON INTERLOCK LOCATIONS

PREPARED BY A. LYNN MILLER 1070 TECHNOLOGY DRIVE N. VENICE, FL 34275 (941) 480-1600		REGISTRATION #29296 COPYRIGHT © 2023 PGT, INC., LIMITED LICENSE TO MAKE COPIES FOR PERMITTING.		12/16/22 Date	
		ALUMINUM NARROW STILE SLIDING GLASS DOOR (LM)		A. MORLESIN Drawn By	
1070 TECHNOLOGY DRIVE N. VENICE, FL 34275 (941) 480-1600		6' X 10' DOOR SIZE		770NSFPA-LM DWG No.	
SGD770NS		24 OF 24		24 OF 24	
Series Desc. Title		Sheet		Date	



Rev. # C
3/28/23
Date
UPDATE TABLE 4, 6'X10' DOOR SIZE
Rev.